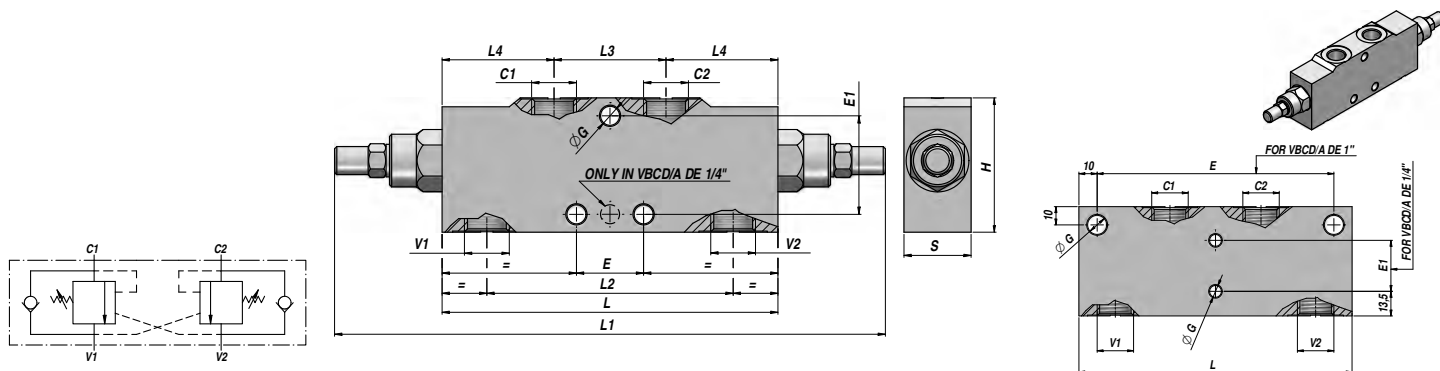


VALVOLA OVERCENTER
OVERCENTER VALVE

DOPPIO EFFETTO
DOUBLE ACTING

VBCD/A DE



Codice Code	V1 - V2 BSP	C1 - C2 BSP	Q MAX l/min	P MAX bar	PILOT RATIO	Tipo Type	L	L1	L2	L3	L4	ØG	E	E1	H	S	kg
V2290.A400	1/4"	1/4"	25	350	1:4.5	VBCD/A DE 1/4"	125	255	94	38	43.5	6.5	-	28	55	30	1,69
V2290.A600	3/8"	3/8"	40	350	1:4.5	VBCD/A DE 3/8"	150	248	110	50	50.0	8.5	30	44	60	30	1,97
V2290.A800	1/2"	1/2"	60	350	1:4.5	VBCD/A DE 1/2"	150	248	110	50	50.0	8.5	30	44	60	30	1,92
V2290.A120	3/4"	3/4"	100	350	1:5.5	VBCD/A DE 3/4"	190	304	143	65	62.5	8.5	44	64	80	35	3,80
V2290.A160	1"	1"	150	350	1:5.5	VBCD/A DE 1"	210	319	158	66	72.0	10.5	190	-	90	50	6,68

Taratura standard - Standard setting : 320 bar

Taratura minima - Minimum setting : 200 bar

MATERIALE CORPO : ACCIAIO

MONTAGGIO IN LINEA

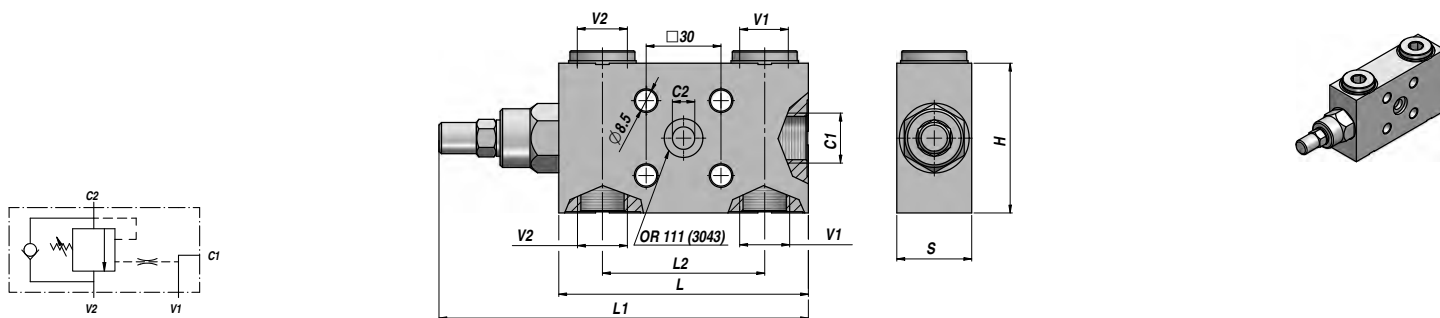
BODY MATERIAL : STEEL

LINE MOUNTING

VALVOLA OVERCENTER
OVERCENTER VALVE

SEMPLICE EFFETTO
SINGLE ACTING

VBCD/FL SE



Codice Code	V1 - V2 BSP	C1 BSP	C2	Q MAX l/min	P MAX bar	PILOT RATIO	Tipo Type	L	L1	L2	H	S	kg
V2190.B600	3/8"	3/8"	Ø9	40	350	1:4.5	VBCD/FL SE 3/8"	100	149	60	60	30	1,25
V2190.B800	1/2"	1/2"	Ø9	60	350	1:4.5	VBCD/FL SE 1/2"	100	149	65	60	30	1,21

Taratura standard - Standard setting : 320 bar

Taratura minima - Minimum setting : 200 bar

MATERIALE CORPO : ACCIAIO

FLANGIABILE

BODY MATERIAL : STEEL

FACE MOUNTING

Basetta per VBCD...FL/SE - Sub-plate for VBCD...FL/SE

Codice Code	Tipo Type
V9990.8000	B8000 - 45x45x25

MATERIALE - MATERIAL : ACCIAIO - STEEL

