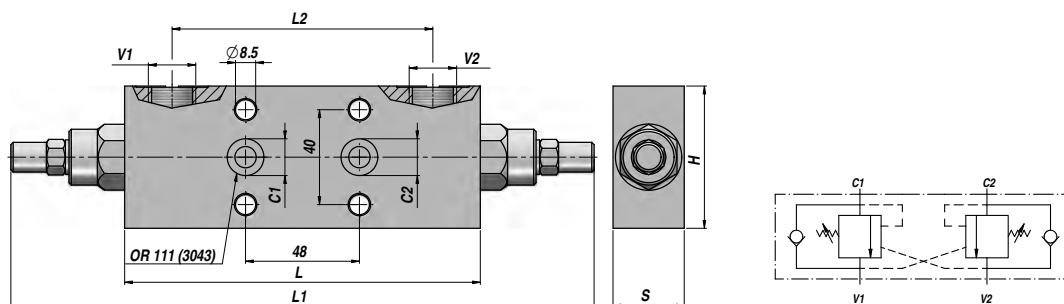
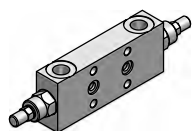


VBCD/FL DE

DOPPIO EFFETTO
DOUBLE ACTING

VALVOLA OVERCENTER
OVERCENTER VALVE



Codice Code	V1 - V2 BSP	C1 - C2	Q MAX l/min	P MAX bar	PILOT RATIO	Tipo Type	L	L1	L2	H	S	kg
V2290.B600	3/8"	Ø9	40	350	1:4.5	VBCD/FL DE 3/8"	150	248	110	60	30	2,01
V2290.B800	1/2"	Ø9	60	350	1:4.5	VBCD/FL DE 1/2"	150	248	110	60	30	1,98

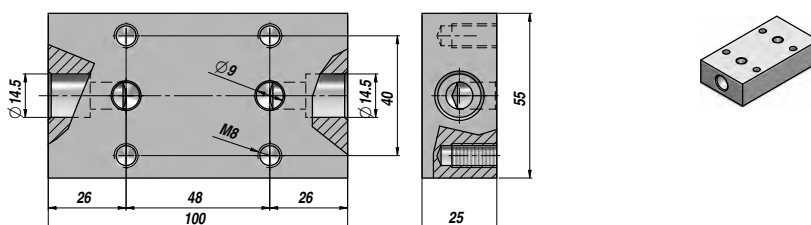
Taratura standard - Standard setting : 320 bar Taratura minima - Minimum setting : 200 bar

MATERIALE CORPO : ACCIAIO FLANGIABILE
BODY MATERIAL : STEEL FACE MOUNTING

Basetta per VBCD...FL/DE - Sub-plate for VBCD...FL/DE

Codice Code	Tipo Type
V9990.8500	B8500 - 100x55x25

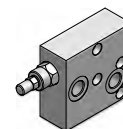
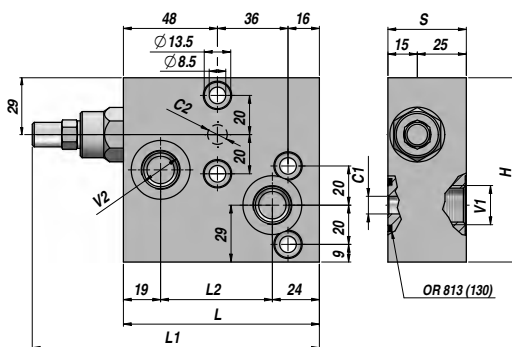
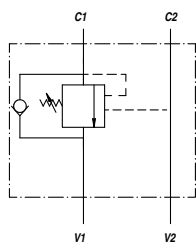
MATERIALE - MATERIAL : ACCIAIO - STEEL



VBCDF-SE (MP-MR)

SEMPLICE EFFETTO
SINGLE ACTING

VALVOLA OVERCENTER PER MOTORI MPP-MPR-MCP-MCR
OVERCENTER VALVE FOR "MPP-MRP-MCP-MCR" MOTORS



Codice Code	V1 - V2 BSP	C1 - C2	Q MAX l/min	P MAX bar	PILOT RATIO	Tipo Type	L	L1	L2	H	S	kg
V2190.F008	1/2"	Ø9	50	350	1:4.5	VBCDF-SE 1/2"-PR	100	149	57	94	40	2,69

Taratura standard - Standard setting : 300- bar Taratura minima - Minimum setting : 200 bar

A RICHIESTA - ON REQUEST :
VBCDF/SF-SE ...CON SBLOCCO FRENO - WITH BRAKE RELEASE PORT

MATERIALE CORPO : ACCIAIO FLANGIABILE
BODY MATERIAL : STEEL FACE MOUNTING