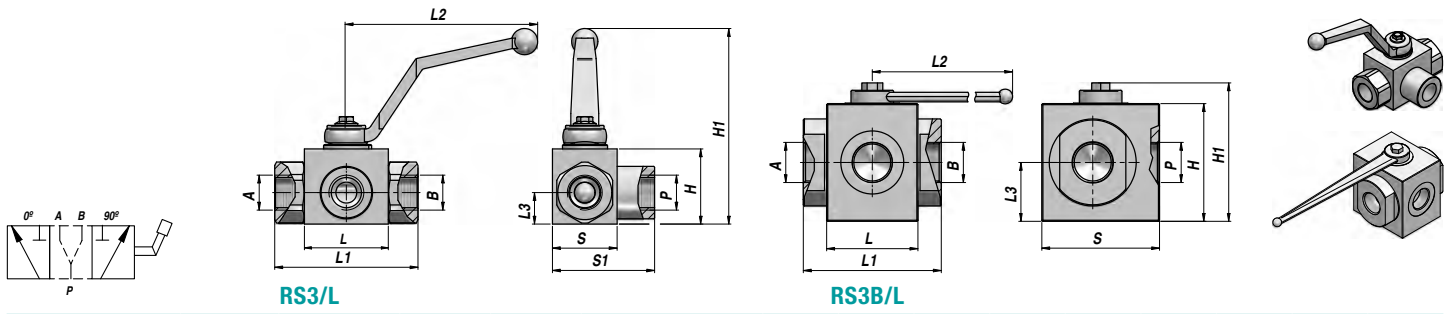


VALVOLA A SFERA A 3 VIE - CENTRO CHIUSO
3-WAY BALL VALVE - CLOSED CENTRE

RS 3/L



Code Code	A - P - B BSP	Schema Scheme	Q MAX l/min	P MAX bar	Tipo Type	L	L1	L2	L3	H	H1	S	S1	kg
DRS3040000	1/4"	L	25	400	RS 3/L DN 6	42.4	71	110	14.5	35	91.5	30	48.5	0,54
DRS3060000	3/8"	L	35	400	RS 3/L DN10	44.4	73	110	17.4	40	96.5	35	54.5	0,70
DRS3080000	1/2"	L	60	350	RS 3/L DN13	48.4	83	110	18.0	43	99.5	37	58.5	0,83
DRS3120000	3/4"	L	100	400	RS 3/L DN20	62.5	95	180	23.4	57	106.5	49	75.0	1,58
DRS3160000	1"	L	160	350	RS 3/L DN25	66.5	112	180	29.5	65	116.5	55	89.0	2,42
DRS3200000	1"1/4-R	L	160	350	RS 3/L DN25	66.5	120	180	29.5	65	116.5	55	89.0	2,60
DRS3240000	1"1/2"	L	-	350	RS 3B/L DN40	85.0	131	300	53.5	107	134.5	115	-	8,63
DRS3320000	2"	L	-	350	RS 3B/L DN50	98.0	140	300	57.0	114	141.5	128	-	10,61

A RICHIESTA - ON REQUEST :
FORI DI FISSAGGIO - FIXING HOLES

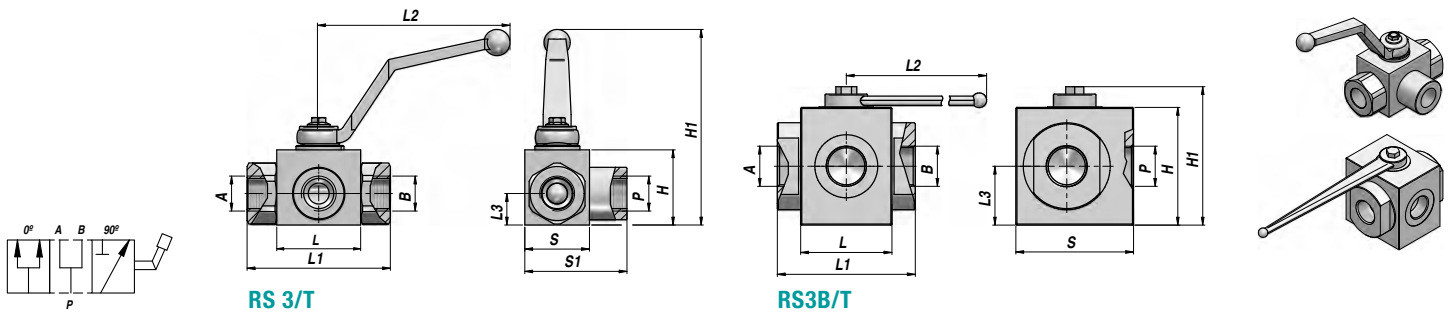
MATERIALE CORPO : ACCIAIO
BODY MATERIAL : STEEL

MONTAGGIO IN LINEA
LINE MOUNTING

A RICHIESTA : INOX AISI 316
ON REQUEST : STAINLESS STEEL AISI 316

VALVOLA A SFERA A 3 VIE - CENTRO APERTO
3-WAY BALL VALVE - OPEN CENTRE

RS 3/T



Code Code	A - P - B BSP	Schema Scheme	Q MAX l/min	P MAX bar	Tipo Type	L	L1	L2	L3	H	H1	S	S1	kg
DRST304000	1/4"	T	25	400	RS 3/T DN 6	42.4	71	110	14.5	35	91.5	30	48.5	0.54
DRST306000	3/8"	T	35	400	RS 3/T DN10	44.4	73	110	17.4	40	96.5	35	54.5	0.70
DRST308000	1/2"	T	60	350	RS 3/T DN13	48.4	83	110	18.0	43	99.5	37	58.5	0.83
DRST312000	3/4"	T	100	400	RS 3/T DN20	62.5	95	180	23.4	57	106.5	49	75.0	1.58
DRST316000	1"	T	160	350	RS 3/T DN25	66.5	112	180	29.5	65	116.5	55	89.0	2.42
DRST320000	1"1/4-R	T	160	350	RS 3/T DN25	66.5	120	180	29.5	65	116.5	55	89.0	2.60
DRST324000	1"1/2"	T	-	350	RS 3B/T DN40	85.0	131	300	53.5	107	134.5	115	-	8.63
DRST332000	2"	T	-	350	RS 3B/T DN50	98.0	140	300	57.0	114	141.5	128	-	10.61

A RICHIESTA - ON REQUEST :
FORI DI FISSAGGIO - FIXING HOLES

MATERIALE CORPO : ACCIAIO
BODY MATERIAL : STEEL

MONTAGGIO IN LINEA
LINE MOUNTING

A RICHIESTA : INOX AISI 316
ON REQUEST : STAINLESS STEEL AISI 316