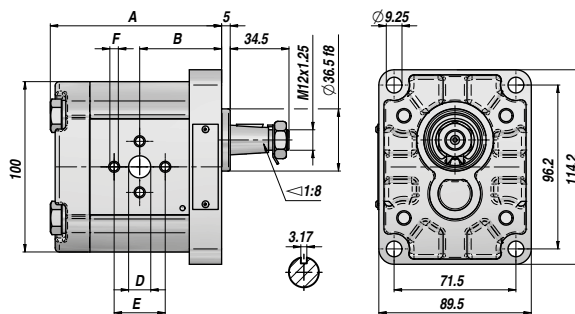
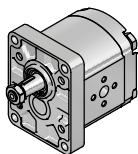


CORPO - BASE - COPERCHIO : ALLUMINIO
BODY - FLANGE - COVER : ALUMINIUM

PS2-A



STANDARD EUROPEA BASE Ø36.5
ALBERO CONICO 1:8

STANDARD EUROPEAN Ø36.5 FLANGE
1:8 TAPER SHAFT

Codice Code	Tipo Type	cm ³ /giro cm ³ /rev	P MAX bar		giri/min rpm		A	B	Aspirazione Suction D x E x F	Mandata Delivery D x E x F	kg
			P1	P3	MAX	MIN					
PG29004*0011000	PS2-A 04 S/D EUR-BN-10-ON	4.00	250	290	4000	500	93.00	44.40	ø13x30xM6	ø13x30xM6	2,30
PG29006*0011000	PS2-A 06 S/D EUR-BN-10-ON	6.00	250	290	4000	500	96.30	46.00	ø13x30xM6	ø13x30xM6	2,45
PG29008*0011000	PS2-A 08 S/D EUR-BN-10-ON	8.50	250	290	3500	500	100.50	48.10	ø13x30xM6	ø13x30xM6	2,60
PG29011*0011000	PS2-A 11 S/D EUR-BN-10-ON	11.00	250	290	3500	500	104.60	50.20	ø19x40xM8	ø13x30xM6	2,70
PG29014*0011000	PS2-A 14 S/D EUR-BN-10-ON	14.00	250	290	3500	500	109.60	52.70	ø19x40xM8	ø13x30xM6	2,80
PG29016*0011000	PS2-A 16 S/D EUR-BN-10-ON	16.50	230	250	3500	500	113.80	54.80	ø19x40xM8	ø13x30xM6	2,95
PG29019*0011000	PS2-A 19 S/D EUR-BN-10-ON	19.50	210	230	3300	500	118.80	57.30	ø19x40xM8	ø13x30xM6	3,10
PG29022*0011000	PS2-A 22 S/D EUR-BN-10-ON	22.50	190	210	2800	500	123.80	59.80	ø19x40xM8	ø13x30xM6	3,25
PG29026*0011000	PS2-A 26 S/D EUR-BN-10-ON	26.00	170	190	2500	500	129.60	62.70	ø19x40xM8	ø13x30xM6	3,40
PG29031*0011000	NEW! PS2-A 31 S/D EUR-BN-10-ON	31.50	130	150	2200	500	138.00	66,90	ø19x40xM8	ø13x30xM6	3,61

*1 = ROTAZIONE SINISTRA - ANTICLOCKWISE

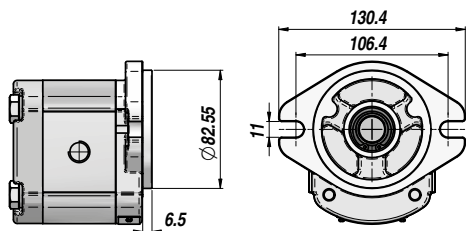
P1 = PRESSIONE MAX. DI ESERCIZIO - MAX. WORKING PRESSURE

*0 = ROTAZIONE DESTRA - CLOCKWISE

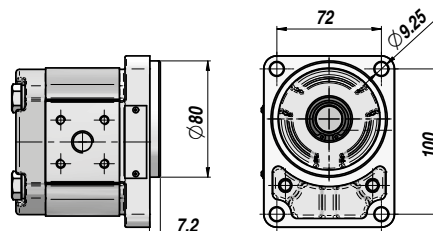
P3 = PRESSIONE MAX. DI PICCO - MAX. PEAK PRESSURE

FLANGE DISPONIBILI - AVAILABLE FLANGES

SAE-A



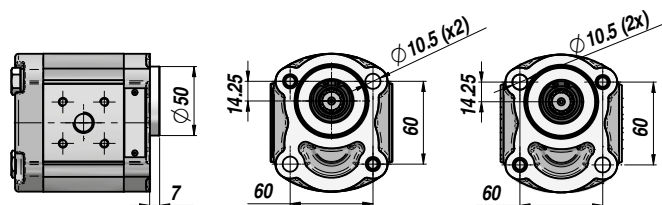
B80C



B50CX - B50CY

CX

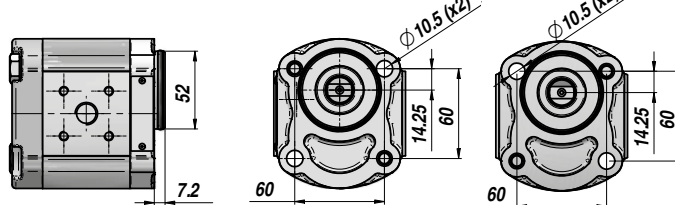
CY



E52CX - E52CY

CX

CY



A RICHIESTA - ON REQUEST

PS2-G = BASE STANDARD EURO Ø36,5 E COPERCHIO IN GHISA - CAST IRON ST. EURO Ø36,5 FLANGE AND COVER

PS2-G SAE-A = BASE SAE-A Ø82,55 E COPERCHIO IN GHISA - CAST IRON SAE-A Ø82,55 FLANGE AND COVER

SU-ST = SUPPORTO CON CUSCINETTI - SUPPORT WITH BEARINGS

VLP-(I-E) = COPERCHIO CON VALVOLA LIMITATRICE DI PRESSIONE - COVER WITH RELIEF VALVE

VRF = COPERCHIO CON REGOLATORE DI FLUSSO - COVER WITH PRIORITY FLOW VALVE

VRF+VLP-I = COPERCHIO CON REGOLATORE DI FLUSSO E VALVOLA LIMITATRICE DI PRESSIONE - COVER WITH PRIORITY FLOW AND RELIEF VALVE

ALBERI DISPONIBILI - AVAILABLE SHAFTS

EURO	SAE-A	B80C	B50 (CX-CY)	E52 (CX-CY)
10	10	10	10	17
11	11	11	11	
12	12	12	12	
13	13	13	13	
14	14	14	14	
15	15	15	15	
16	16	16	16	

CONNESSIONI - CONNECTIONS

N (EURO)	G (GAS)	T (BOSCH)	U (UNF)	F (SAE)
<p>Suction Delivery</p> <p>Dimensioni : vedi tabella a lato Dimensions : see table on the left</p>	<p>Suction Delivery</p> <p>C = 1/2" (cm³ 4 ÷ 8) C = 3/4" (cm³ 11 ÷ 31)</p>	<p>Suction Delivery</p> <p>C = 7/8" - 14UNF (cm³ 4 ÷ 8) C = 1.1/16" - 12UN (cm³ 11 ÷ 31)</p>	<p>Suction Delivery</p> <p>C = 7/8" - 14UNF (cm³ 4 ÷ 8) C = 1.1/16" - 12UN (cm³ 11 ÷ 31)</p>	<p>Suction Delivery</p> <p>C = 20 - D=38 - E=17.4 (cm³ 4 ÷ 11) C = 26 - D=22.4 - E=47.6 (cm³ 14 ÷ 31)</p>