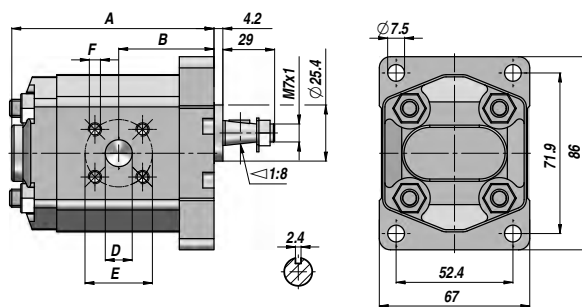
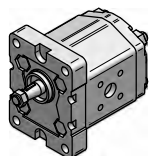


**PC-1**

POMPA AD INGRANAGGI GEAR PUMP GR. 1



CORPO - BASE - COPERCHIO : ALLUMINIO  
BODY - FLANGE - COVER : ALUMINIUM

STANDARD EUROPEA BASE Ø25.4  
ALBERO CONICO 1:8  
STANDARD EUROPEAN Ø25.4 FLANGE  
1:8 TAPER SHAFT

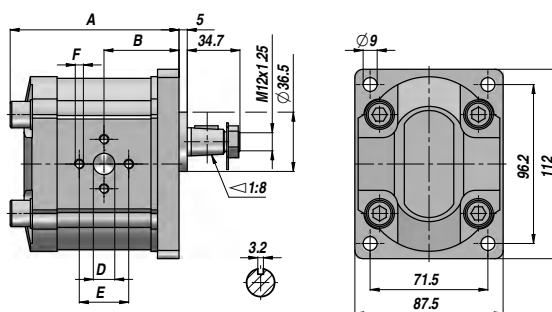
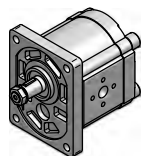
Codice Code	Tipo Type	cm3/giro cm3/rev	P MAX bar		giri/min rpm		A	B	Aspirazione Suction D x E x F	Mandata Delivery D x E x F	kg
			P1	P3	MAX	MIN					
PC*111ECC1A	PC*111	1.10	200	250	6000	700	75	33	Ø12x30xM6	Ø12x30xM6	0.87
PC*113ECC1A	PC*113	1.30	200	250	6000	700	76	34	Ø12x30xM6	Ø12x30xM6	0.89
PC*116ECC1A	PC*116	1.60	200	250	6000	700	78	35	Ø12x30xM6	Ø12x30xM6	0.90
PC*121ECC1A	PC*121	2.10	200	250	6000	700	79	36	Ø12x30xM6	Ø12x30xM6	0.92
PC*127ECC1A	PC*127	2.70	200	250	6000	700	81	37	Ø12x30xM6	Ø12x30xM6	0.95
PC*132ECC1A	PC*132	3.20	200	230	5000	700	83	38	Ø12x30xM6	Ø12x30xM6	0.97
PC*137ECC1A	PC*137	3.70	200	230	4500	700	85	39	Ø12x30xM6	Ø12x30xM6	1.00
PC*142ECC1A	PC*142	4.20	200	230	4000	700	87	40	Ø12x30xM6	Ø12x30xM6	1.02
PC*148ECC1A	PC*148	4.80	160	200	3500	700	89	41	Ø12x30xM6	Ø12x30xM6	1.05
PC*158ECC1A	PC*158	5.80	160	200	2900	700	93	43	Ø12x30xM6	Ø12x30xM6	1.10
PC*179ECC1A	PC*179	8.00	160	180	2100	700	101	47	Ø12x30xM6	Ø12x30xM6	1.20

\*S = ROTAZIONE SINISTRA - ANTICLOCKWISE  
\*D = ROTAZIONE DESTRA - CLOCKWISE

P1 = PRESSIONE MAX. DI ESERCIZIO - MAX. WORKING PRESSURE  
P3 = PRESSIONE MAX. DI PICCO - MAX. PEAK PRESSURE

**PC-2**

POMPA AD INGRANAGGI GEAR PUMP GR. 2



CORPO : ALLUMINIO  
BASE - COPERCHIO : GHISA  
BODY : ALUMINIUM  
FLANGE - COVER : CAST IRON

STANDARD EUROPEA BASE Ø36.5  
ALBERO CONICO 1:8  
STANDARD EUROPEAN Ø36.5 FLANGE  
1:8 TAPER SHAFT

Codice Code	Tipo Type	cm3/giro cm3/rev	P MAX bar		giri/min rpm		A	B	Aspirazione Suction D x E x F	Mandata Delivery D x E x F	kg
			P1	P3	MAX	MIN					
PC*206EAA1G	PC*206	6.00	200	250	3000	700	100	47	Ø13x30xM6	Ø13x30xM6	3.41
PC*208EAA1G	PC*208	8.00	200	250	3000	700	104	49	Ø13x30xM6	Ø13x30xM6	3.51
PC*210EAA1G	PC*210	10.00	200	250	3000	700	106	50	Ø20x40xM8	Ø13x30xM6	3.57
PC*212EAA1G	PC*212	12.00	200	230	3000	700	110	52	Ø20x40xM8	Ø13x30xM6	3.71
PC*214EAA1G	PC*214	14.00	200	230	3000	700	112	53	Ø20x40xM8	Ø13x30xM6	3.74
PC*216EAA1G	PC*216	16.00	200	230	3000	700	116	55	Ø20x40xM8	Ø13x30xM6	3.86
PC*220EAA1G	PC*220	20.00	190	230	3000	700	122	58	Ø20x40xM8	Ø13x30xM6	4.03
PC*225EAA1G	PC*225	25.00	160	200	2500	700	130	62	Ø20x40xM8	Ø13x30xM6	4.26
PC*230EAA1G	PC*230	30.00	140	180	2500	700	138	66	Ø22x40xM8	Ø20x40xM8	4.80

\*S = ROTAZIONE SINISTRA - ANTICLOCKWISE  
\*D = ROTAZIONE DESTRA - CLOCKWISE

P1 = PRESSIONE MAX. DI ESERCIZIO - MAX. WORKING PRESSURE  
P3 = PRESSIONE MAX. DI PICCO - MAX. PEAK PRESSURE

A RICHIESTA - ON REQUEST: CORPO FILETTATO "BSP" - "BSP" THREADED HOUSING