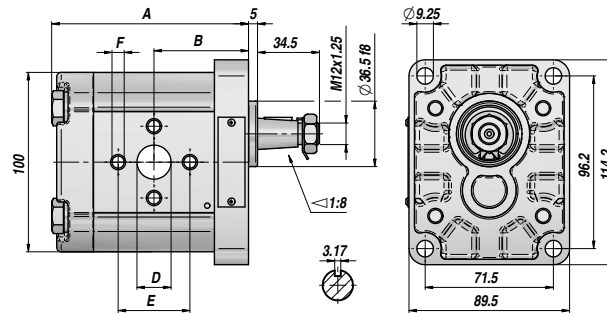
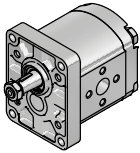


MS2-A

MOTORE AD INGRANAGGI GR. 2  
GEAR MOTOR

CORPO - BASE - COPERCHIO : ALLUMINIO  
BODY - FLANGE - COVER : ALUMINIUM



STANDARD EUROPEO BASE Ø36.5  
ALBERO CONICO 1:8  
STANDARD EUROPEAN Ø36.5 FLANGE  
1:8 TAPER SHAFT

| Codice<br>Code              | Tipo<br>Type              | cm <sup>3</sup> /giro<br>cm <sup>3</sup> /rev | P MAX<br>bar |     | giri/min<br>rpm |     | A      | B     | INLET<br>D x E x F | OUTLET<br>D x E x F | kg   |
|-----------------------------|---------------------------|---|--------------|-----|-----------------|-----|--------|-------|--------------------|---------------------|------|
|                             |                           |   | P1           | P2  | MAX             | MIN |        |       |                    |                     |      |
| MG79004*0011000             | MS2-A 04 S/D EUR-HN-10-0N | 4.00  | 230          | 270 | 4000            | 500 | 93.00  | 44.40 | Ø13x30xM6          | Ø13x30xM6           | 2,30 |
| MG79006*0011000             | MS2-A 06 S/D EUR-HN-10-0N | 6.00  | 230          | 270 | 4000            | 500 | 96.30  | 46.00 | Ø13x30xM6          | Ø13x30xM6           | 2,45 |
| MG79008*0011000             | MS2-A 08 S/D EUR-HN-10-0N | 8.50  | 230          | 270 | 3500            | 500 | 100.50 | 48.10 | Ø13x30xM6          | Ø13x30xM6           | 2,60 |
| MG79011*0011000             | MS2-A 11 S/D EUR-HN-10-0N | 11.00   | 230          | 270 | 3500            | 500 | 104.60 | 50.20 | Ø13x30xM6          | Ø19x40xM8           | 2,70 |
| MG79014*0011000             | MS2-A 14 S/D EUR-HN-10-0N | 14.00   | 230          | 270 | 3500            | 500 | 109.60 | 52.70 | Ø13x30xM6          | Ø19x40xM8           | 2,80 |
| MG79016*0011000             | MS2-A 16 S/D EUR-HN-10-0N | 16.50   | 230          | 240 | 3500            | 500 | 113.80 | 54.80 | Ø13x30xM6          | Ø19x40xM8           | 2,95 |
| MG79019*0011000             | MS2-A 19 S/D EUR-HN-10-0N | 19.50   | 210          | 220 | 3300            | 500 | 118.80 | 57.30 | Ø13x30xM6          | Ø19x40xM8           | 3,10 |
| MG79022*0011000             | MS2-A 22 S/D EUR-HN-10-0N | 22.50   | 190          | 200 | 2800            | 500 | 123.80 | 59.80 | Ø13x30xM6          | Ø19x40xM8           | 3,25 |
| MG79026*0011000             | MS2-A 26 S/D EUR-HN-10-0N | 26.00   | 170          | 180 | 2500            | 500 | 129.60 | 62.70 | Ø13x30xM6          | Ø19x40xM8           | 3,40 |
| MG79031*0011000 <b>NEW!</b> | MS2-A 31 S/D EUR-HN-10-0N | 31.50   | 130          | 140 | 2200            | 500 | 138.00 | 66,90 | Ø13x30xM6          | Ø19x40xM8           | 3,61 |

\* 1= ROTAZIONE SINISTRA - ANTICLOCKWISE

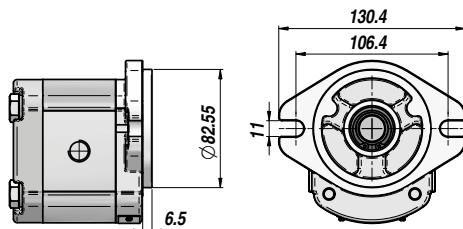
\* 0= ROTAZIONE DESTRA - CLOCKWISE

P1 = PRESSIONE MAX. DI ESERCIZIO - MAX. WORKING PRESSURE

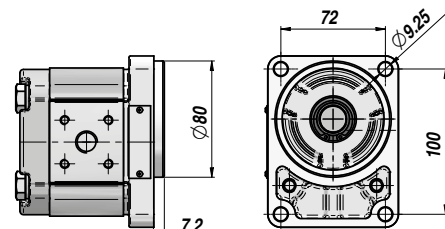
P2 = PRESSIONE MAX. INTERMITTENTE - MAX. INTERMITTEN PRESSURE

FLANGE DISPONIBILI - AVAILABLE FLANGES

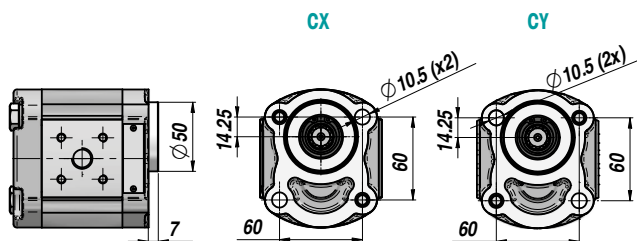
SAE-A



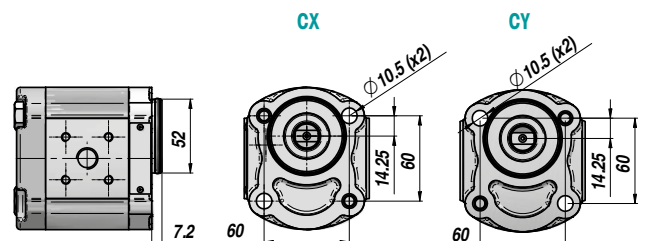
B80C



B50CX - B50CY



E52CX - E52CY



A RICHIESTA - ON REQUEST :

- MS2-(A/G)-R = ROTAZIONE BIDIREZIONALE - BI-DIRECTIONAL ROTATION
- MS2-G = BASE ST.EURO Ø36,5 E COPERCHIO IN GHISA - CAST IRON ST. EURO Ø36,5 FLANGE AND COVER
- MS2-G SAE-A = BASE SAE-A Ø82,55 E COPERCHIO IN GHISA - CAST IRON SAE-A Ø82,55 FLANGE AND COVER
- SU-ST = SUPPORTO CON CUSCINETTI - SUPPORT WITH BEARINGS
- VLP-(I-E) = COPERCHIO CON VALVOLA LIMITATRICE DI PRESSIONE - COVER WITH RELIEF VALVE
- NA(NC)-VoIt-VLP = DOPPIA VELOCITA' CON BY-PASS ELETTRICO E V.L.P. - TWO SPEED WITH ELECTRIC BY-PASS AND R.V.

ALBERI DISPONIBILI - AVAILABLE SHAFTS

| EURO | SAE-A | B80C | B50 (CX-CY) | E52 (CX-CY) |
|------|-------|------|-------------|-------------|
|      |       |      |             |             |
| 10   | 10    | 10   | 10          | 17          |
| 11   | 11    | 11   | 11          |             |
| 12   | 12    | 12   | 12          |             |
| 13   | 13    | 13   | 13          |             |
| 14   | 14    | 14   | 14          |             |
| 15   | 15    | 15   | 15          |             |
| 16   | 16    | 16   | 16          |             |

CONNESSIONI - CONNECTIONS

| N (EURO)   | G (GAS)   | T (BOSCH)           | U (UNF)   | F (SAE)   |
|--|---|---------------------|---|---|
| <p>Outlet Inlet</p> <p>Dimensioni : vedi tabella a lato<br/>Dimensions : see table on the left</p> | <p>Outlet Inlet</p> <p>C = 1/2" (cm<sup>3</sup> 4 ÷ 11)<br/>C = 3/4" (cm<sup>3</sup> 14 ÷ 31)</p> | <p>Outlet Inlet</p> | <p>Outlet Inlet</p> <p>C = 7/8" - 14UNF (cm<sup>3</sup> 4 ÷ 11)<br/>C = 1.1/16" - 12UN (cm<sup>3</sup> 14 ÷ 31)</p> | <p>Outlet Inlet</p> <p>C = 20 D = 38 E = 17.4 (cm<sup>3</sup> 4 ÷ 11)<br/>C = 26 D = 22.4 E = 47.6 (cm<sup>3</sup> 14 ÷ 31)</p> |