

MPR (MR)

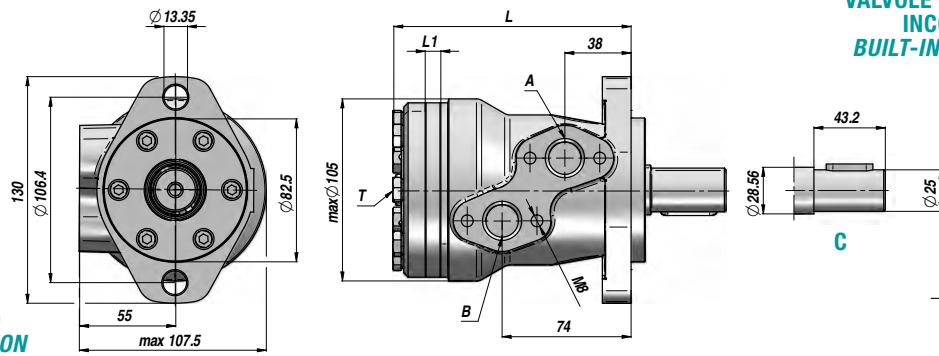
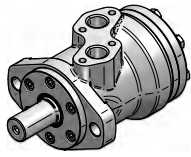


MOTORE "M+S HYDRAULIC"
"M+S HYDRAULIC" MOTOR

ALBERO CILINDRICO Ø25
PARALLEL SHAFT Ø25

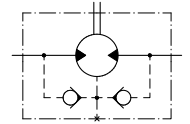
FLANGIA "SAE A" - 2 FORI
"SAE A" FLANGE - 2 HOLES

Standard: CONNESSIONI LATERALI - SIDE PORTS



VALVOLE UNIDIREZIONALI
INCORPORATE
BUILT-IN CHECK VALVES

PREDISPOSTO PER IL DRENAGGIO
MACHINED FOR DRAIN CONNECTION



Codice Code	Tipo Type	cm ³ /giro cm ³ /rev	n. Max giri/min rpm	M Max daNm	Q MAX l/min	P MAX bar			A - B	T	L	L1	kg
						Caduta Drop Δp	Ingresso Inlet	Ritorno Return					
LAVORO CONTINUO - CONTINUOUS WORK													
MSR050NC25	MPR 50 C	51.5	775	10.0	40	140	175	175 *	1/2"	1/4"	138.0	9.0	6,80
MSR080NC25	MPR 80 C	80.3	750	20.0	60	175	175	175 *			143.0	14.0	6,90
MSR100NC25	MPR 100 C	99.8	600	24.0	60	175	175	175 *			146.0	17.4	7,20
MSR125NC25	MPR 125 C	125.7	475	30.0	60	175	175	175 *			150.5	21.8	7,30
MSR160NC25	MPR 160 C	159.6	375	39.0	60	175	175	175 *			156.5	27.8	7,50
MSR200NC25	MPR 200 C	199.8	300	38.5	60	140	175	175 *			163.5	34.8	8,00
MSR250NC25	MPR 250 C	250.1	240	39.0	60	110	175	175 *			172.0	43.5	8,40
MSR315NC25	MPR 315 C	315.7	190	36.0	60	85	175	175 *			183.0	54.8	9,10
MSR400NC25	MPR 400 C	397.0	150	38.0	60	65	175	175 *	198.0	69.4	9,80		

* = CON DRENAGGIO - WITH DRAIN

OPTION

CO

SH

OPTION

Q: (Square Mount)

OPTION

**E: CONNESSIONI POSTERIORI
REAR PORTS**

**PRESSIONE MAX. AL RITORNO SENZA DRENAGGIO
MAX. RETURN PRESSURE WITHOUT DRAIN**

1: Low pressure shaft seal
2: Standard seal for "...B" shaft
3: High pressure shaft seal ("D" type)

— - - - - continuous operations
- - - - - intermittent operations

OPTION

K

CB

KB

OPTION

F: SAE A/4 (Oval Mount)

**CARICHI AMMESSI SULL'ALBERO
PERMISSIBLE SHAFT LOADS**

Shaft : "C-CO"

Oval mount
Square mount

Pa max = 150 daN
Pa max = 200 daN

With Needle bearings : "N"

Prad = Radial load
Pa = Axial load

1. Max. radial shaft load
2. n= 50 rpm
3. n=200 rpm
4. n=800 rpm

Pa max=150 daN
Pa max=200 daN

VERSIONI SPECIALI - SPECIAL VERSIONS

D: guarnizione albero - shaft seal: max 150 bar
N/D: con cuscinetti a rulli - with needle bearings
W: versione ruota - wheel mount