

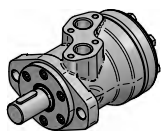


MOTORE "Z-J HYDRAULIC"  
"Z-J HYDRAULIC" MOTOR

ALBERO CILINDRICO Ø25  
PARALLEL SHAFT Ø25

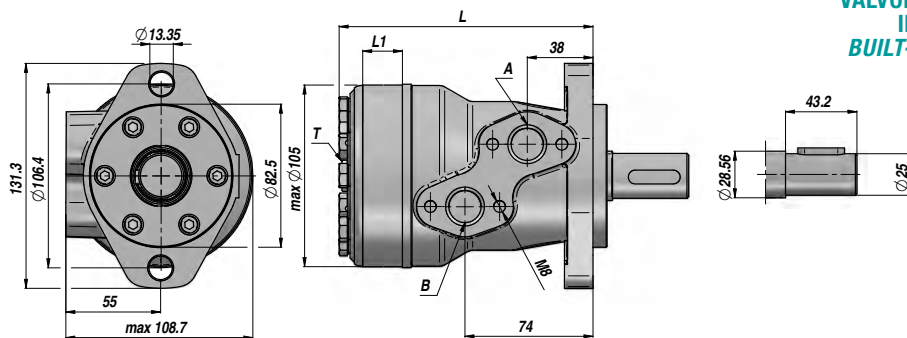
FLANGIA "SAE A" - 2 FORI  
"SAE A" FLANGE - 2 HOLES

Standard: CON CUSCINETTI A RULLI PER CARICHI RADIALI - WITH NEEDLE BEARINGS FOR RADIAL LOADS

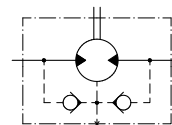


VERNICIATO NERO  
BLACK PAINTED

PREDISPOSTO PER IL DRENAGGIO  
MACHINED FOR DRAIN CONNECTION



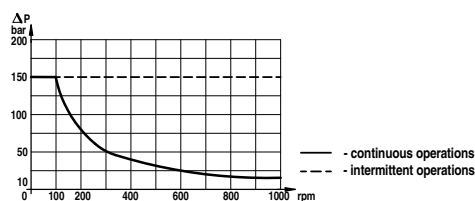
VALVOLE UNIDIREZIONALI  
INCORPORATE  
BUILT-IN CHECK VALVES



Codice Code	Tipo Type	cm <sup>3</sup> /giro cm <sup>3</sup> /rev	n. Max giri/min rpm	M Max daNm	Q MAX l/min	P MAX bar			A - B	T	L	L1	kg
						Caduta Drop Δp	Ingresso Inlet	Ritorno Return					
<b>LAVORO CONTINUO - CONTINUOUS WORK</b>													
MCRN036CD0	MC-RN 36 CD	36.0	1085	7.2	40	140	175	175 *	1/2"	1/4"	137.0	7.0	6,50
MCRN050CD0	MC-RN 50 CD	51.7	960	10.0	50	140	175	175 *			140.0	10.0	6,70
MCRN080CD0	MC-RN 80 CD	81.5	750	19.5	60	175	175	175 *			146.0	16.0	6,90
MCRN100CD0	MC-RN 100 CD	102.0	600	24.0	60	175	175	175 *			150.0	20.0	6,90
MCRN125CD0	MC-RN 125 CD	127.2	475	30.0	60	175	175	175 *			155.0	25.0	7,20
MCRN160CD0	MC-RN 160 CD	157.2	378	36.0	60	165	175	175 *			161.5	30.5	7,50
MCRN200CD0	MC-RN 200 CD	194.5	310	36.0	60	130	175	175 *			170.0	38.1	8,00
MCRN250CD0	MC-RN 250 CD	253.3	240	39.0	60	110	175	175 *			180.0	50.0	8,50
MCRN315CD0	MC-RN 315 CD	317.5	190	39.0	60	90	175	175 *			192.0	62.0	9,00
MCRN400CD0	MC-RN 400 CD	381.4	155	36.5	60	70	175	175 *			204.0	74.0	9,30

\* = CON DRENAGGIO - WITH DRAIN

PRESSIONE MAX. AL RITORNO SENZA DRENAGGIO  
MAX. RETURN PRESSURE WITHOUT DRAIN



CARICHI AMMESSI SULL'ALBERO  
PERMISSIBLE SHAFT LOADS

