

MOTORE "Z-J HYDRAULIC"
"Z-J HYDRAULIC" MOTOR

ALBERO CILINDRICO Ø25
PARALLEL SHAFT Ø25

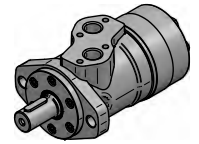
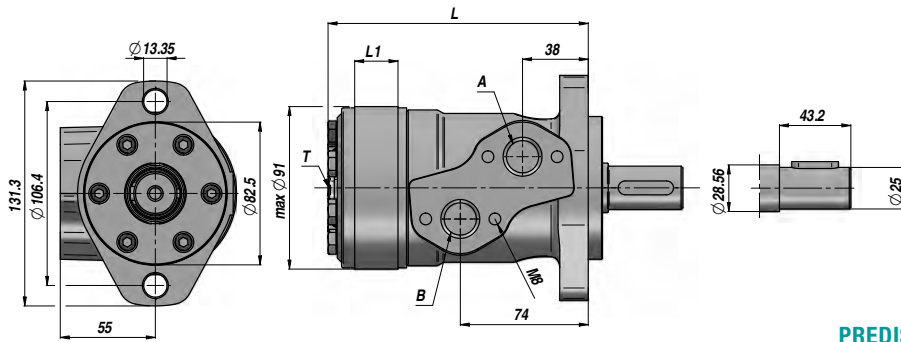
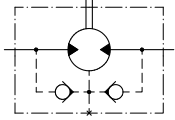
FLANGIA "SAE A" - 2 FORI
"SAE A" FLANGE - 2 HOLES



MCPN

Standard: CON CUSCINETTI A RULLI PER CARICHI RADIALI - WITH NEEDLE BEARINGS FOR RADIAL LOADS

VALVOLE UNIDIREZIONALI
INCORPORATE
BUILT-IN CHECK VALVES



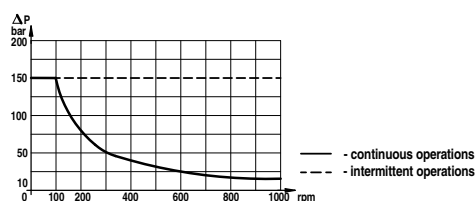
VERNICIATO NERO
BLACK PAINTED

PREDISPOSTO PER IL DRENAGGIO
MACHINED FOR DRAIN CONNECTION

Codice Code	Tipo Type	cm ³ /giro cm ³ /rev	n. Max giri/min rpm	M Max daNm	Q MAX l/min	P MAX bar			A - B	T	L	L1	kg
						Caduta Drop Δp	Ingresso Inlet	Ritorno Return					
LAVORO CONTINUO - CONTINUOUS WORK													
MCPN036CDO	MC-PN 36 CD	36.0	1500	5.5	55	125	165	165 *			137.0	7.0	5,60
MCPN050CDO	MC-PN 50 CD	51.7	1150	10.0	60	140	165	165 *			137.0	7.0	5,60
MCPN080CDO	MC-PN 80 CD	77.7	770	14.6	60	140	165	165 *			140.5	10.5	5,70
MCPN100CDO	MC-PN 100 CD	96.2	615	18.2	60	140	165	165 *			143.0	13.0	5,90
MCPN125CDO	MC-PN 125 CD	120.2	490	23.6	60	140	165	165 *			146.0	16.0	6,00
MCPN160CDO	MC-PN 160 CD	157.2	383	30.2	60	140	165	165 *	1/2"	1/4"	151.0	21.0	6,20
MCPN200CDO	MC-PN 200 CD	194.5	310	36.0	60	140	165	165 *			157.0	26.0	6,40
MCPN250CDO	MC-PN 250 CD	240.3	250	38.0	60	110	165	165 *			162.0	32.0	6,60
MCPN315CDO	MC-PN 315 CD	314.5	192	37.5	60	90	165	165 *			172.0	42.0	6,90
MCPN400CDO	MC-PN 400 CD	389.5	155	36.0	60	70	165	165 *			182.0	52.0	7,40
MCPN500CDO	MC-PN 500 CD	486.5	120	38.5	60	60	165	165 *			195.0	65.0	8,00

* = CON DRENAGGIO - WITH DRAIN

PRESSIONE MAX. AL RITORNO SENZA DRENAGGIO
MAX. RETURN PRESSURE WITHOUT DRAIN



CARICHI AMMESSI SULL'ALBERO
PERMISSIBLE SHAFT LOADS

