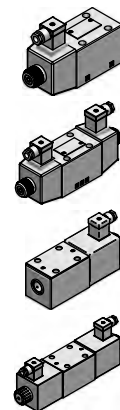
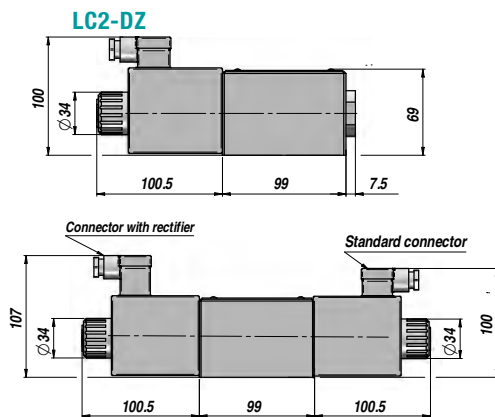
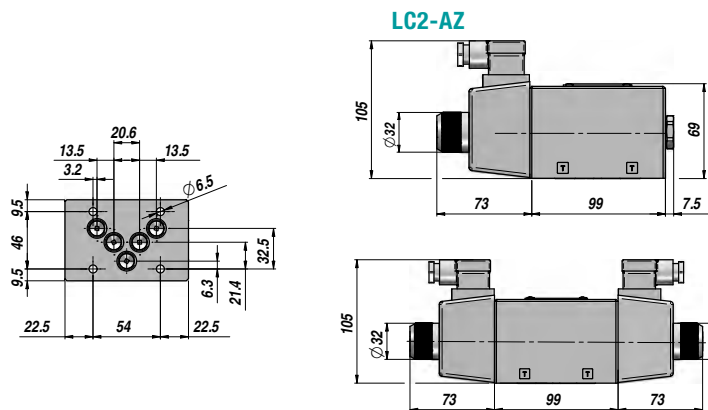


ELETTROVALVOLA A COMANDO DIRETTO
SOLENOID OPERATED DIRECTIONAL VALVE

CETOP 5

LC2



Codice Code	Tipo Type	Tensione Voltage	Simbolo Idraulico Hydraulic Symbol	Q MAX l/min	P MAX bar	kg
EL20A02002450	LC2-A201 AZ	24/50VAC	<p>A201 (ex A2)</p>	100	310	4,10
EL20A02011050	LC2-A201 AZ	110/50VAC		"	"	4,10
EL20A02022050	LC2-A201 AZ	220/50VAC		"	"	4,10
EL20A02012VDC	LC2-A201 DZ	12VDC		120	"	5,10
EL20A02024VDC	LC2-A201 DZ	24VDC		"	"	5,10
EL20B02011050	LC2-B201 AZ	110/50VAC	<p>B201 (ex B2)</p>	100	310	4,10
EL20B02022050	LC2-B201 AZ	220/50VAC		"	"	4,10
EL20B02012VDC	LC2-B201 DZ	12VDC		120	"	5,10
EL20B02024VDC	LC2-B201 DZ	24VDC		"	"	5,10
EL20C02002450	LC2-C201 AZ	24/50VAC		<p>C201 (ex C2)</p>	100	310
EL20C02011050	LC2-C201 AZ	110/50VAC	"		"	4,10
EL20C02022050	LC2-C201 AZ	220/50VAC	"		"	4,10
EL20C02012VDC	LC2-C201 DZ	12VDC	120		"	5,10
EL20C02024VDC	LC2-C201 DZ	24VDC	"		"	5,10
EL20E02011050	LC2-E201 AZ	110/50VAC	<p>E201 (ex E2)</p>	100	310	4,10
EL20E02012VDC	LC2-E201 DZ	12VDC		120	"	5,10
EL20E02024VDC	LC2-E201 DZ	24VDC		"	"	5,10
EL20A11S12VDC	LC2-A301 DZ	12VDC	<p>A301 (ex A11S)</p>	120	310	4,00
EL20A11S24VDC	LC2-A301 DZ	24VDC		"	"	4,00
EL20A11C02450	LC2-Y301 AZ	24/50VAC	<p>Y301 (ex A11C)</p>	100	310	3,30
EL20A11C11050	LC2-Y301 AZ	110/50VAC		"	"	3,30
EL20A11C22050	LC2-Y301 AZ	220/50VAC		"	"	3,30
EL20A11C12VDC	LC2-Y301 DZ	12VDC		120	"	4,00
EL20A11C24VDC	LC2-Y301 DZ	24VDC		"	"	4,00
EL20B11C22050	LC2-B301 AZ	220/50VAC	<p>B301 (ex B11C)</p>	100	310	3,30
EL20B11C12VDC	LC2-B301 DZ	12VDC		120	"	4,00
EL20B11C24VDC	LC2-B301 DZ	24VDC		"	"	4,00
EL20C11A11050	LC2-C301 AZ	110/50VAC	<p>C301 (ex C11A)</p>	100	310	3,30
EL20C11A22050	LC2-C301 AZ	220/50VAC		"	"	3,30
EL20C11A12VDC	LC2-C301 DZ	12VDC		120	"	4,00
EL20C11A24VDC	LC2-C301 DZ	24VDC		"	"	4,00

A RICHIESTA - ON REQUEST: VALVOLE MODULARI PER ELETTROVALVOLE CETOP 5 - MODULAR VALVES FOR SOLENOID OPERATED DIRECTIONAL VALVES CETOP 5