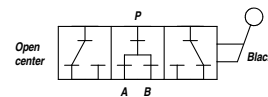
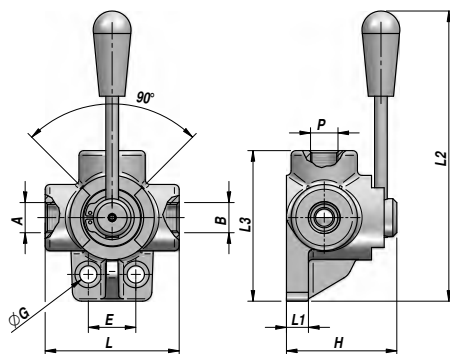
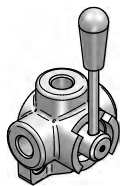


**DDF3-A**

**DEVIATORE A 3 VIE - CENTRO APERTO**  
**3-WAY FLOW DEFLECT VALVE - OPEN CENTRE**



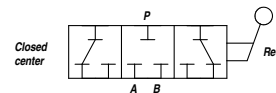
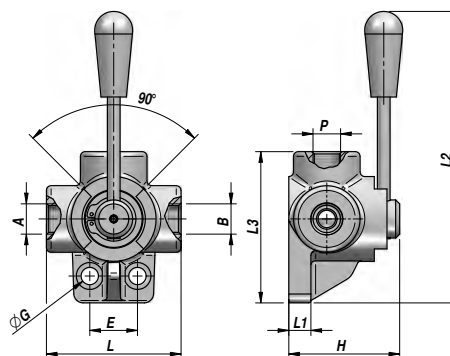
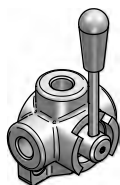
Codice Code	A - P - B BSP	Q MAX l/min	P MAX bar	Tipo Type	L	L1	L2	ØG	E	H	L3	kg
V70367.A00600	3/8"	60	300	DDF3-A 3/8" C/A	73	13	169	8.5	24	62	77	0,89
V70367.A00800	1/2"	90	250	DDF3-A 1/2" C/A	85	12	180	10.5	32	70	96	1,45
V70367.A01200	3/4"	120	220	DDF3-A 3/4" C/A	90	14	180	10.5	32	80	100	1,82
V70367.A11600	1"	200	220	DDF3-A 1" C/A	96	14	207	11.0	32	90	115	2,50

MATERIALE CORPO : GHISA  
BODY MATERIAL : CAST IRON

MONTAGGIO IN LINEA  
LINE MOUNTING

**DDF3-C**

**DEVIATORE A 3 VIE - CENTRO CHIUSO**  
**3-WAY FLOW DEFLECT VALVE - CLOSED CENTRE**



Codice Code	A - P - B BSP	Q MAX l/min	P MAX bar	Tipo Type	L	L1	L2	ØG	E	H	L3	kg
V70367.C00600	3/8"	60	300	DDF3-C 3/8" C/C	73	13	169	8.5	24	62	77	0,89
V70367.C00800	1/2"	90	250	DDF3-C 1/2" C/C	85	12	180	10.5	32	70	96	1,45
V70367.C01200	3/4"	120	220	DDF3-C 3/4" C/C	90	14	180	10.5	32	80	100	1,82
V70367.C11600	1"	200	220	DDF3-C 1" C/C	96	14	207	11.0	32	90	115	2,50

MATERIALE CORPO : GHISA  
BODY MATERIAL : CAST IRON

MONTAGGIO IN LINEA  
LINE MOUNTING