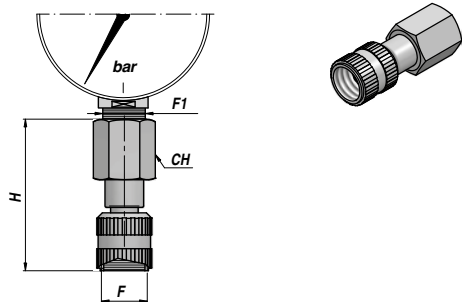


PORTA MANOMETRO
GAUGE ADAPTER

NEW!

AM20

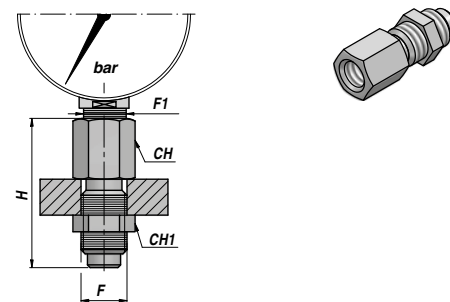


PORTA MANOMETRO
GAUGE ADAPTER

NEW!

AM18

PASSAPARETE
BULKHEAD ADAPTER



Codice Code	F	F1	PN	H	CH	kg x100
AM20140000 *	M16x2	1/4"	630	50	19	7,20
AM20120000 *	M16x2	1/2"	630	55	27	11,60

Codice Code	F	F1	PN	H	CH/CH1	kg x100
AM18140000 *	M16x2	1/4"	630	50	19/19	6,20
AM18120000 *	M16x2	1/2"	630	57	27/19	11,10

PN = Pressione Nominale - Nominal pressure

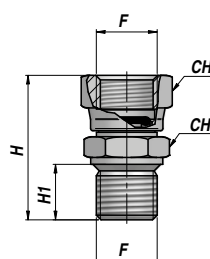
* = A RICHIESTA : ACCIAIO INOX AISI316 - ON REQUEST : STAINLESS STEEL AISI 316

MATERIALE : ACCIAIO
MATERIAL : STEEL

CONNETTORE PORTA MANOMETRO ORIENTABILE
SWIVEL PRESSURE GAUGE CONNECTION

NEW!

AM18.M



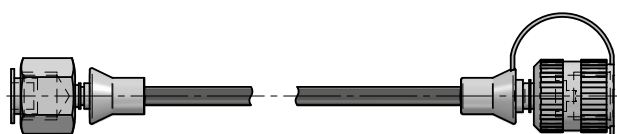
Codice Code	F	PN	H	H1	CH	kg x100
AM1814M000 *	1/4"	400	34	11	17	3,50
AM1812M000 *	1/2"	400	46	15	27	14,13

PN = Pressione Nominale - Nominal pressure

* = A RICHIESTA : ACCIAIO INOX AISI316 - ON REQUEST : STAINLESS STEEL AISI 316

A RICHIESTA : RONDELLA IN RAME - ON REQUEST : COPPER WASHER

MATERIALE : ACCIAIO
MATERIAL : STEEL



A RICHIESTA : TUBI CAPILLARI PER ALTA PRESSIONE CON RACCORDI
ON REQUEST : MICRO HOSE FOR HYGH PRESSURE WITH FITTINGS