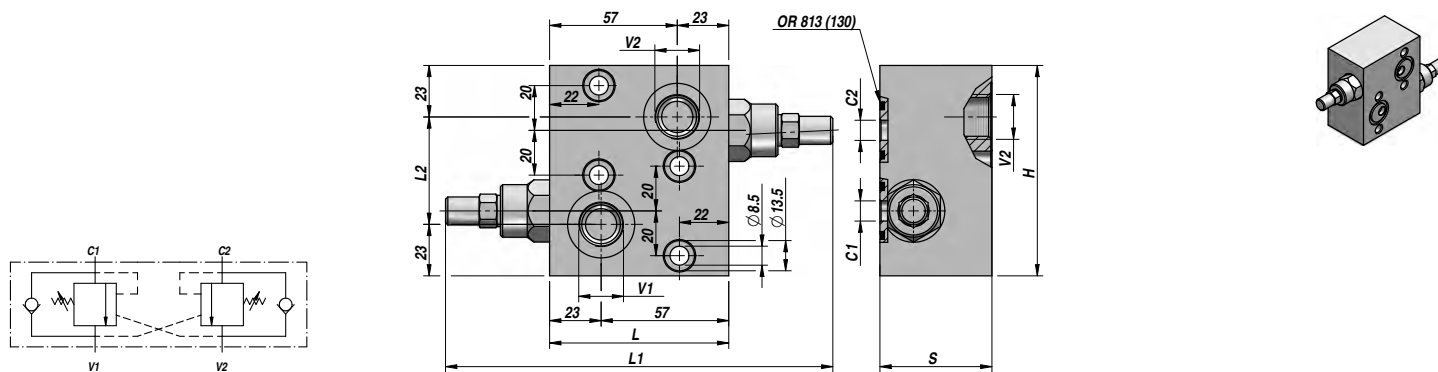


VALVOLA OVERCENTER PER MOTORI MPP-MPR-MCP-MCR
OVERCENTER VALVE FOR "MPP-MRP-MCP-MCR" MOTORS

DOPPIO EFFETTO
DOUBLE ACTING

VBCDF-DE (MP-MR)



Codice Code	V1 - V2 BSP	C1 - C2	Q MAX l/min	P MAX bar	PILOT RATIO	Tipo Type	L	L1	L2	H	S	kg
V2290.F008	1/2"	Ø9	50	350	1:4.5	VBCDF-DE 1/2"-PR	80	172	48	94	50	2,71

Taratura standard - Standard setting : 300- bar Taratura minima - Minimum setting : 200 bar

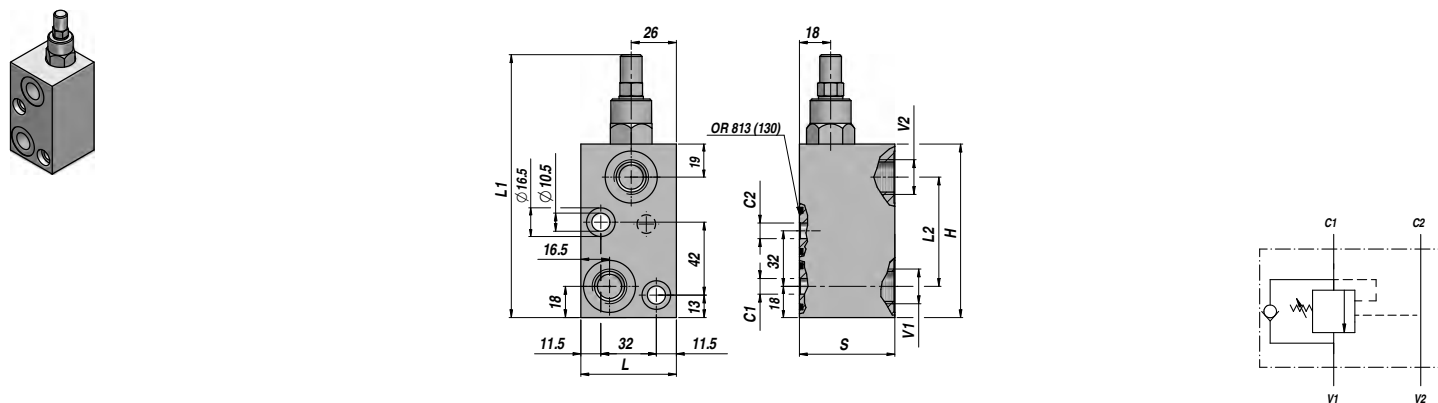
A RICHIESTA - ON REQUEST :
VBCDF/SF-DE ...CON SBLOCCO FRENO - WITH BRAKE RELEASE PORT

MATERIALE CORPO : ACCIAIO FLANGIABILE
BODY MATERIAL : STEEL FACE MOUNTING

VALVOLA OVERCENTER PER MOTORI MPS-MCS
OVERCENTER VALVE FOR "MPS-MCS" MOTORS

SEMPLICE EFFETTO
SINGLE ACTING

VBCDF-SE (MS)



Codice Code	V1 - V2 BSP	C1 - C2	Q MAX l/min	P MAX bar	PILOT RATIO	Tipo Type	L	L1	L2	H	S	kg
V2190.F416	1/2"	Ø9	50	350	1:4.5	VBCDF-SE 1/2"-S	55	148	63	100	55	1,70

Taratura standard - Standard setting : 300- bar Taratura minima - Minimum setting : 200 bar

A RICHIESTA - ON REQUEST :
VBCDF/SF-SE ...CON SBLOCCO FRENO - WITH BRAKE RELEASE PORT

MATERIALE CORPO : ACCIAIO FLANGIABILE
BODY MATERIAL : STEEL FACE MOUNTING