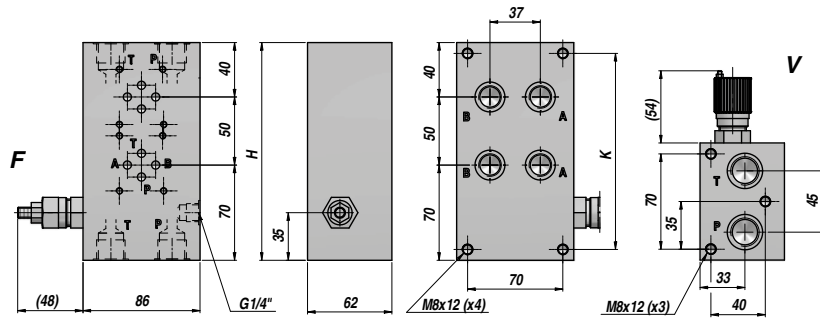
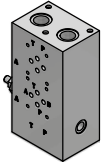


EM103/PX

NEW! CETOP 3

BASE MULTIPLA MONOBLOCCO PER ELETTROVALVOLE CON VMP
MULTIPLE SUB-PLATE FOR SOLENOID VALVES WITH RELIEF VALVE

VERSIONE IN PARALLELO
PARALLEL VERSION



Code Codice	Type Tipo	Positions No. N° posizioni	A - B BSP	P - T BSP	H	K	kg
EM1030138PX3F	EM103/ 1.38P.X.3F	1	3/8"	1/2"	110	94	3,40
EM1030238PX3F	EM103/ 2.38P.X.3F	2			160	144	4,80
EM1030338PX3F	EM103/ 3.38P.X.3F	3			210	194	6,20
EM1030438PX3F	EM103/ 4.38P.X.3F	4			260	244	7,60
EM1030538PX3F	EM103/ 5.38P.X.3F	5			310	294	9,00
EM1030638PX3F	EM103/ 6.38P.X.3F	6			360	344	10,40
EM1030738PX3F	EM103/ 7.38P.X.3F	7			410	394	11,80
EM1030838PX3F	EM103/ 8.38P.X.3F	8			460	444	13,20
EM1030938PX3F	EM103/ 9.38P.X.3F	9			510	494	14,60
EM1031038PX3F	EM103/10.38P.X.3F	10			560	544	16,00
EM1031138PX3F	EM103/11.38P.X.3F	11			610	594	17,40

CAMPO DI TARATURA - SETTING RANGE :

X.0 : 5 - 50 bar - X.1 : 30 - 100 bar - X.2 : 50 - 210 bar - X.3 : 100 - 350 bar (Standard)

REGOLAZIONE - SETTING : **F = A CHIAVE - BY KEY (Standard)** **V = A VOLANTINO - BY KNOB**

MATERIALE : GHISA
MATERIAL : CAST IRON

A RICHIESTA EM103/..PY : PIASTRA MULTIPLA DI MONTAGGIO PER ELETTROVALVOLE CETOP 3 SENZA VMP - Versione in parallelo
ON REQUEST EM103/..PY : MULTIPLE SUB-PLATE FOR CETOP 3 SOLENOID VALVES WITHOUT RELIEF VALVE - Parallel version