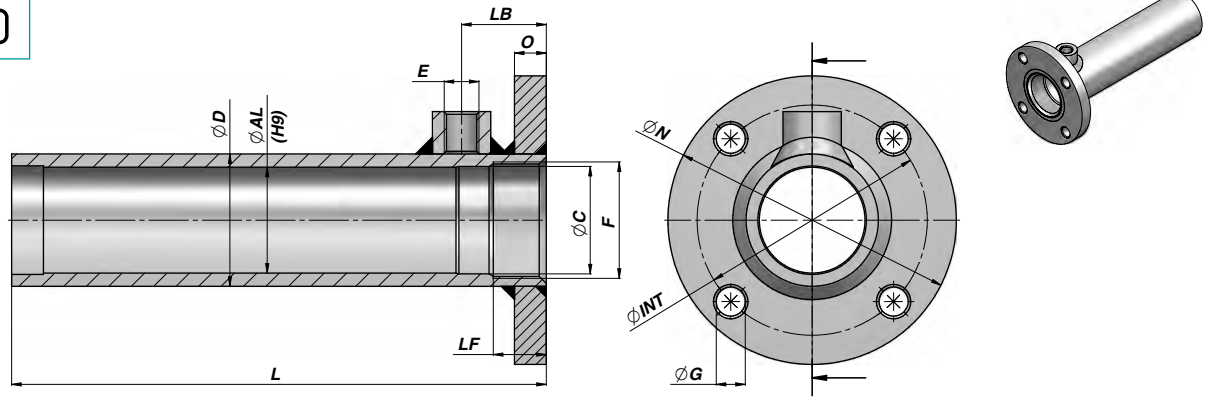


TUBO TORNITO CON BORCHIA E FLANGIA SALDATE
TURNED CYLINDER TUBE WITH WELDED THREADED PORT AND FLANGE



Series M250



| Codice Code | ØAL | Corsa Stroke | L | ØD | E BSP | LB | F | LF | ØC | Flangia - Flange | | | | kg |
|--|-----|--------------|-----|-----|-------|----|---------|----|-------|------------------|------|----------|------|-------|
| | | | | | | | | | | ØN | O | ØG | ØINT | |
| STFG040050100 | 40 | 100 | 202 | 50 | 1/4" | 32 | M44x1.5 | 20 | 40,6 | 109 | 12,5 | ø 11 x 4 | 87 | 1,80 |
| STFG040050200 | | 200 | 302 | | | | | | | | | | | 2,30 |
| STFG040050300 | | 300 | 402 | | | | | | | | | | | 2,80 |
| STFG040050400 | | 400 | 502 | | | | | | | | | | | 3,40 |
| STFG040050500 | | 500 | 602 | | | | | | | | | | | 3,90 |
| PREDISPOSTO PER FONDELLO INTERNO - MACHINED FOR INTERNAL END PLUG: CODE CFI0410012 | | | | | | | | | | | | | | |
| STFG050050100 | 50 | 100 | 212 | 60 | 3/8" | 35 | M54x1.5 | 23 | 50,6 | 128 | 14,5 | ø 13 x 4 | 105 | 2,50 |
| STFG050050200 | | 200 | 312 | | | | | | | | | | | 3,20 |
| STFG050050300 | | 300 | 412 | | | | | | | | | | | 3,80 |
| STFG050050400 | | 400 | 512 | | | | | | | | | | | 4,50 |
| STFG050050500 | | 500 | 612 | | | | | | | | | | | 5,20 |
| PREDISPOSTO PER FONDELLO INTERNO - MACHINED FOR INTERNAL END PLUG: CODE CFI0510012 | | | | | | | | | | | | | | |
| STFG060050100 | 60 | 100 | 230 | 70 | 3/8" | 40 | M64x1.5 | 28 | 60,6 | 142 | 16,5 | ø 13 x 4 | 117 | 3,20 |
| STFG060050200 | | 200 | 330 | | | | | | | | | | | 4,00 |
| STFG060050300 | | 300 | 430 | | | | | | | | | | | 4,80 |
| STFG060050400 | | 400 | 530 | | | | | | | | | | | 5,60 |
| STFG060050500 | | 500 | 630 | | | | | | | | | | | 6,40 |
| PREDISPOSTO PER FONDELLO INTERNO - MACHINED FOR INTERNAL END PLUG: CODE CFI0610015 | | | | | | | | | | | | | | |
| STFG070050100 | 70 | 100 | 230 | 80 | 3/8" | 40 | M74x1.5 | 28 | 70,6 | 162 | 16,5 | ø 15 x 4 | 127 | 3,90 |
| STFG070050200 | | 200 | 330 | | | | | | | | | | | 4,80 |
| STFG070050300 | | 300 | 430 | | | | | | | | | | | 5,80 |
| STFG070050400 | | 400 | 530 | | | | | | | | | | | 6,70 |
| STFG070050500 | | 500 | 630 | | | | | | | | | | | 7,60 |
| PREDISPOSTO PER FONDELLO INTERNO - MACHINED FOR INTERNAL END PLUG: CODE CFI0710015 | | | | | | | | | | | | | | |
| STFG080070100 | 80 | 100 | 250 | 95 | 1/2" | 50 | M85x2 | 34 | 80,6 | 181 | 18,5 | ø 17 x 6 | 149 | 6,30 |
| STFG080070200 | | 200 | 350 | | | | | | | | | | | 7,90 |
| STFG080070300 | | 300 | 450 | | | | | | | | | | | 9,50 |
| STFG080070400 | | 400 | 550 | | | | | | | | | | | 11,20 |
| STFG080070500 | | 500 | 650 | | | | | | | | | | | 12,70 |
| PREDISPOSTO PER FONDELLO INTERNO - MACHINED FOR INTERNAL END PLUG: CODE CFI0810017 | | | | | | | | | | | | | | |
| STFG100070100 | 100 | 100 | 278 | 115 | 1/2" | 70 | M105x2 | 52 | 100,6 | 194 | 24,5 | ø 17 x 6 | 162 | 8,50 |
| STFG100070200 | | 200 | 378 | | | | | | | | | | | 10,50 |
| STFG100070300 | | 300 | 478 | | | | | | | | | | | 12,50 |
| STFG100070400 | | 400 | 578 | | | | | | | | | | | 14,50 |
| STFG100070500 | | 500 | 678 | | | | | | | | | | | 16,50 |
| PREDISPOSTO PER FONDELLO INTERNO - MACHINED FOR INTERNAL END PLUG: CODE CFI1010020 | | | | | | | | | | | | | | |

MATERIALE TUBO: ACCIAIO St 52.3 DIN 2393 ISO H9 MATERIALE FLANGIA : ACCIAIO S355J0 (Fe510C)
TUBE MATERIAL : STEEL St 52.3 DIN 2393 ISO H9 FLANGE MATERIAL : STEEL S355J0 (Fe510C)