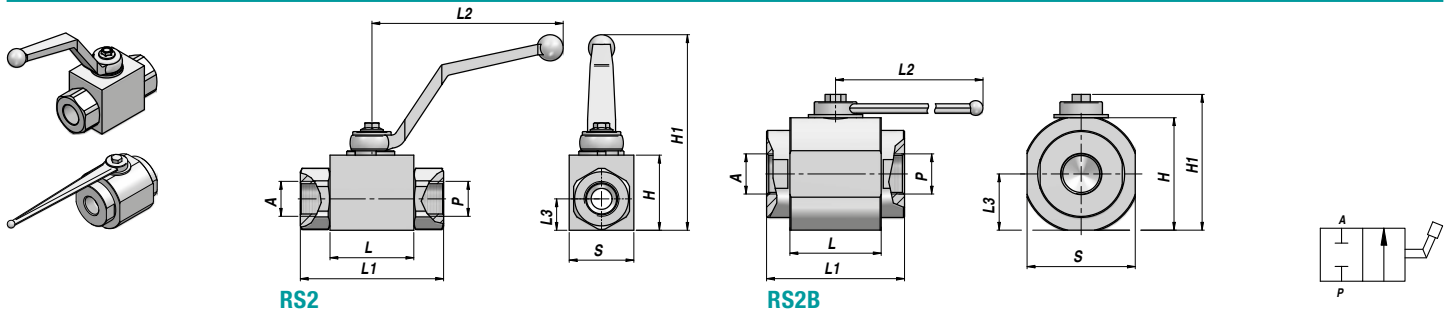


RS 2

VALVOLA A SFERA A 2 VIE
2-WAY BALL VALVE



Codice Code	A - P BSP	Serie Series	Q MAX l/min	P MAX bar	Tipo Type	L	L1	L2	L3	H	H1	S	kg
DRS2040000	1/4"	-	25	500	RS 2 DN 6	42.4	71	110	14.5	35	91.5	30	0.50
DRS2060000	3/8"	-	35	500	RS 2 DN10	44.4	73	110	17.4	40	96.5	35	0.65
DRS2080000	1/2"	-	60	500	RS 2 DN13	48.4	83	110	18.0	43	99.5	37	0.77
DRS2120000	3/4"	-	100	400	RS 2 DN20	62.5	95	180	23.4	57	106.5	49	1.46
DRS2160000	1"	-	160	350	RS 2 DN25	66.5	112	180	29.5	65	116.5	55	2.23
DRS2200000	1"1/4-R	-	160	350	RS 2 DN25	66.5	120	180	29.5	65	116.5	55	2.30

A RICHIESTA - ON REQUEST:
FORI DI FISSAGGIO - FIXING HOLES

MATERIALE CORPO : ACCIAIO
BODY MATERIAL : STEEL

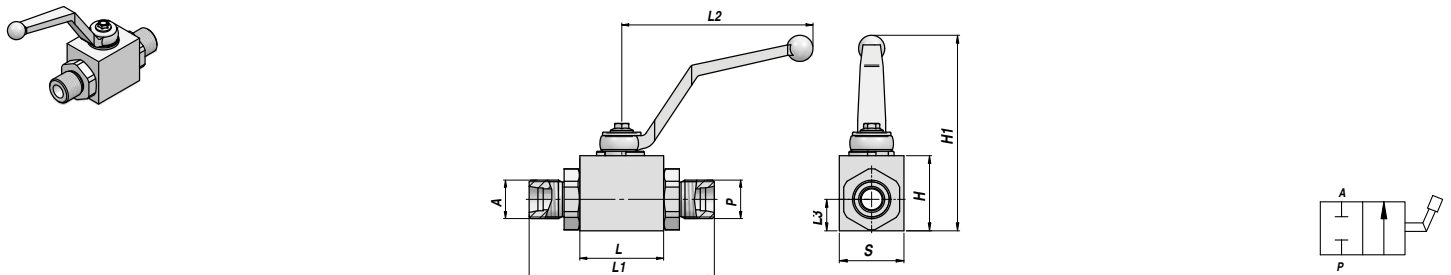
MONTAGGIO IN LINEA
LINE MOUNTING

A RICHIESTA : INOX AISI 316
ON REQUEST : STAINLESS STEEL AISI 316

RSD 2

NEW!

VALVOLA A SFERA A 2 VIE - DIN 2353
2-WAY BALL VALVE - DIN 2353



Codice Code	A - P BSP	Serie Series	Q MAX l/min	P MAX bar	Tipo Type	L	L1	L2	L3	H	H1	S	kg
DRSD208L00	M14x1.5	L	25	500	RSD2 08L DN06	42.4	76.0	110	14.5	35	91.5	30	0.48
DRSD210L00	M16x1.5	L	35	500	RSD2 10L DN10	44.4	76.5	110	17.4	40	96.5	35	0.60
DRSD212L00	M18x1.5	L	35	500	RSD2 12L DN10	44.4	79.5	110	17.4	40	96.5	35	0.62
DRSD215L00	M22x1.5	L	60	500	RSD2 15L DN13	48.4	87.0	110	18.0	43	99.5	37	0.73
DRSD218L00	M26x1.5	L	60	500	RSD2 18L DN13	48.4	87.0	110	18.0	43	99.5	37	0.75
DRSD222L00	M30x2	L	100	400	RSD2 22L DN20	62.5	110.0	180	23.4	57	106.5	49	1.46
DRSD228L00	M36x2	L	160	350	RSD2 28L DN25	66.5	117.0	180	29.5	65	116.5	55	2.13
DRSD210S00	M18x1.5	S	25	500	RSD2 10S DN06	42.4	76.0	110	14.5	35	91.5	30	0.50
DRSD212S00	M20x1.5	S	35	500	RSD2 12S DN10	44.4	76.0	110	17.4	40	96.5	35	0.60
DRSD214S00	M22x1.5	S	35	500	RSD2 14S DN10	44.4	82.5	110	17.4	40	96.5	35	0.63
DRSD216S00	M24x1.5	S	60	500	RSD2 16S DN13	48.4	89.0	110	18.0	43	99.5	37	0.67
DRSD220S00	M30x2	S	60	500	RSD2 20S DN13	48.4	93.0	110	18.0	43	99.5	37	0.79
DRSD225S00	M36x2	S	100	400	RSD2 25S DN20	62.5	111.0	180	23.4	57	106.5	49	1.49
DRSD230S00	M42x2	S	160	350	RSD2 30S DN25	66.5	121.0	180	29.5	65	116.5	55	2.15

A RICHIESTA - ON REQUEST:
FORI DI FISSAGGIO - FIXING HOLES

MATERIALE CORPO : ACCIAIO
BODY MATERIAL : STEEL

MONTAGGIO IN LINEA
LINE MOUNTING

A RICHIESTA : INOX AISI 316
ON REQUEST : STAINLESS STEEL AISI 316