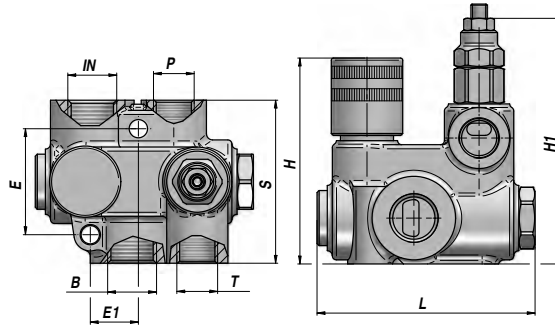
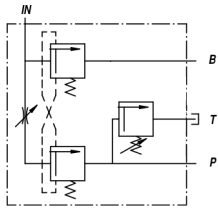


REGOLATORE DI FLUSSO PRIORITARIO
PRIORITY FLOW CONTROL

RFPV .. G

COMPENSATO BARICAMENTE
PRESSURE COMPENSATED



REGOLABILE - ADJUSTABLE
ECCEDENZA IN PRESSIONE - EXCEEDING FLOW TO PRESSURE

Codice Code	IN - B BSP	P - T BSP	Q MAX l/min IN	Q MAX l/min P	P MAX bar	Tipo Type	L	E	E1	H1	H	S	kg
V6215.0321 **	1/2"	3/8"	40	40	250	RFPV 40 GU	92	46	22.5	105	98	65	1,54
V6215.0323	3/4"	1/2"	80	80	250	RFPV 70 GU	110	52	24.5	125	103	80	2,04

MOLLA - SPRING : X= 10:100 bar - U= 50:230 bar (Standard) - K= 100:250 bar

** = A RICHIESTA - ON REQUEST

MATERIALE CORPO : GHISA
BODY MATERIAL : CAST IRON

MONTAGGIO IN LINEA
LINE MOUNTING