

KIT DI ACCOPPIAMENTO PER POMPA MULTIPLA
ASSEMBLING KIT FOR MULTIPLE GEAR PUMP

NEW!

PGKIT

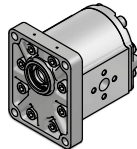
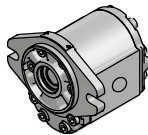
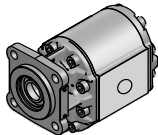
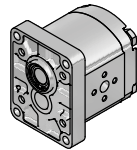
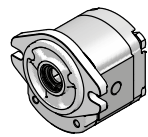
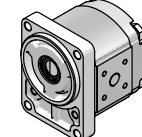
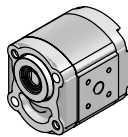
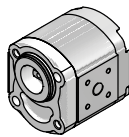
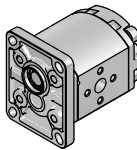
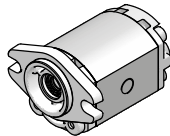
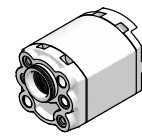
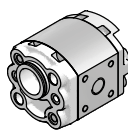
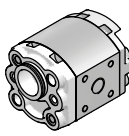
2^a (..3^a ..) pompa - 2nd (..3rd ..) pump

1 ^a pompa - 1 st pump	3	2	1
1			PGKIT0109110000 PGKIT0109110100 *
2		PGKIT0109220000 PGKIT0109220100 *	PGKIT0109211000 PGKIT0109210100
3	PGKIT010G330000 PGKIT0109331000	PGKIT010G320000 PGKIT0109321000	PGKIT010G310000 PGKIT010G310100

Tandem STANDARD
STANDARD Tandem

Tandem CORTO
SHORT Tandem

* = Tiranti non compresi - Tie Rods not included
(vedi tabella sotto - see table below)

EURO	SAE-B	ZFC		
				
EURO	SAE-A	B80-C	B50 (CX-CY)	E52 (CX-CY)
				
EURO	SAE-AA	MC32	E32BX	E32CX
				

TIRANTE UNIVERSALE E DADO PER ACCOPPIAMENTO POMPA TANDEM CORTO
UNIVERSAL TIE ROD AND NUT FOR ASSEMBLING SHORT TANDEM PUMP

NEW!

PGKT

2^a (..3^a .. 4^a) pompa - 2nd (..3rd .. 4th) pump

1 ^a pompa 1 st pump	+1	+1 +1	+1 +1 +1	+2	+2 +2	+2 +2 +2
1	PGKT01024309069 CDA0000800	PGKT01024329079 CDA0000800	PGKT01024312539 CDA0000800			
2				PGKT01024303749 CDA0001015	PGKT01024301829 CDA0001015	PGKT01024305389 CDA0001015

Per ogni accoppiamento occorre ordinare nr. 4 pezzi per ogni codice indicato sopra.
4 pcs of each above code need to be ordered for each coupling.