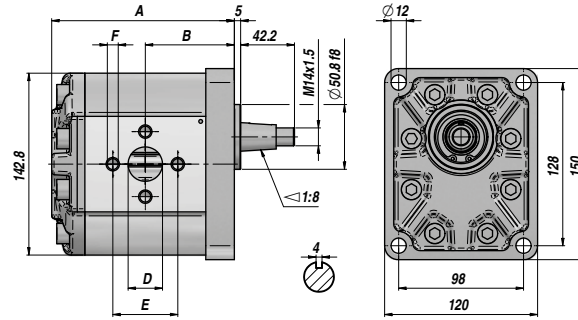
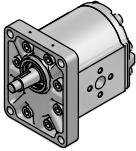


PG3-G

NEW!



CORPO : ALLUMINIO  
BASE - COPERCHIO : GHISA  
BODY : ALUMINIUM  
FLANGE - COVER : CAST IRON

STANDARD EUROPEA BASE Ø50.8  
ALBERO CONICO 1:8

STANDARD EUROPEAN Ø50.8 FLANGE  
1:8 TAPER SHAFT

Codice Code	Tipo Type	cm3/giro cm3/rev	P MAX bar		giri/min rpm		A	B	Aspirazione Suction D x E x F	Mandata Delivery D x E x F	kg
			P1	P3	MAX	MIN					
PG3G119*0011000	PG3-G 19 S/D EUR-BN-10-0N	19.30	250	300	3500	700	128.30	62.40	ø27x51xM10	ø19x40xM8	7,67
PG3G123*0011000	PG3-G 23 S/D EUR-BN-10-0N	23.00	240	290	3500	700	131.30	63.90	ø27x51xM10	ø19x40xM8	7,81
PG3G130*0011000	PG3-G 30 S/D EUR-BN-10-0N	30.20	220	260	3300	700	137.30	66.90	ø27x51xM10	ø19x40xM8	8,09
PG3G134*0011000	PG3-G 34 S/D EUR-BN-10-0N	33.80	220	260	3300	700	140.30	68.40	ø27x51xM10	ø19x40xM8	8,22
PG3G137*0011000	PG3-G 37 S/D EUR-BN-10-0N	37.50	210	250	3300	700	143.30	69.90	ø27x51xM10	ø19x40xM8	8,36
PG3G144*0011000	PG3-G 44 S/D EUR-BN-10-0N	44.60	200	240	3000	700	149.30	72.90	ø27x51xM10	ø19x40xM8	8,64
PG3G153*0011000	PG3-G 53 S/D EUR-BN-10-0N	53.00	200	240	3000	700	156.30	76.40	ø27x51xM10	ø19x40xM8	8,96
PG3G162*0011000	PG3-G 62 S/D EUR-BN-10-0N	62.70	180	200	2500	700	164.30	80.40	ø27x51xM10	ø19x40xM8	9,33
PG3G170*0011000	PG3-G 70 S/D EUR-BN-10-0N	70.50	180	208	2500	700	170.80	86.90	ø27x51xM10	ø19x40xM8	9,63
PG3G177*0011000	PG3-G 77 S/D EUR-BN-10-0N	77.20	170	196	2200	700	176.30	92.40	ø27x51xM10	ø19x40xM8	9,88

\*1 = ROTAZIONE SINISTRA - ANTICLOCKWISE

P1 = PRESSIONE MAX. DI ESERCIZIO - MAX. WORKING PRESSURE

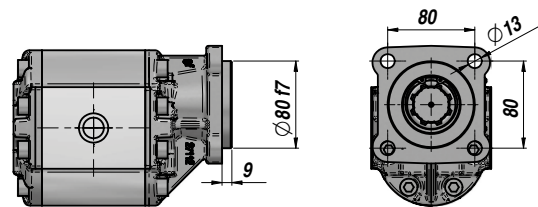
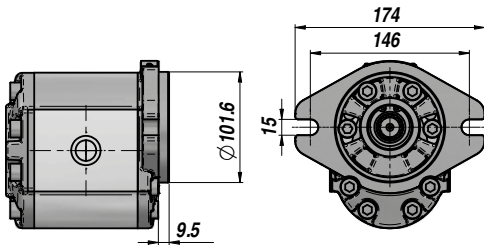
\*0 = ROTAZIONE DESTRA - CLOCKWISE

P3 = PRESSIONE MAX. DI PICCO - MAX. PEAK PRESSURE

FLANGE DISPONIBILI - AVAILABLE FLANGES

SAE-B

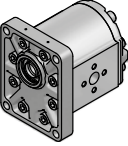
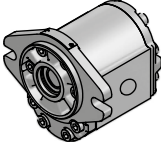
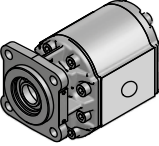
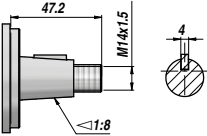
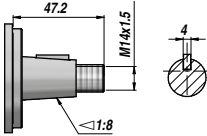
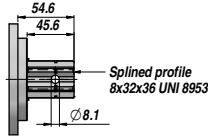
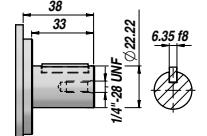
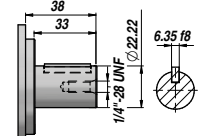
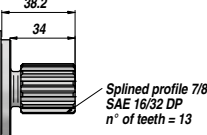
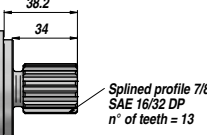
ZFC



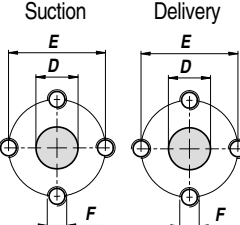
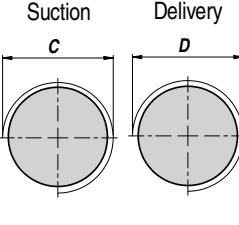
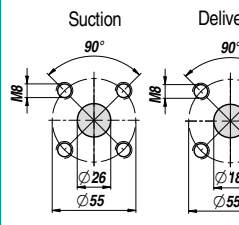
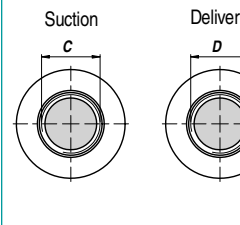
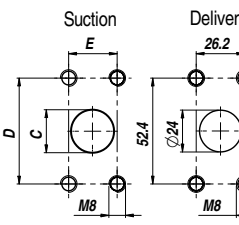
A RICHIESTA - ON REQUEST

VLP-I = COPERCHIO CON VALVOLA LIMITATRICE DI PRESSIONE - COVER WITH RELIEF VALVE

ALBERI DISPONIBILI - AVAILABLE SHAFTS

EURO	SAE-B	ZFC		
				
<p>10</p> 	<p>10</p> 	<p>24</p> 		
<p>13</p> 	<p>13</p> 			
<p>14</p> 	<p>14</p> 			

CONNESSIONI - CONNECTIONS

N (EURO)	G (GAS)	T (BOSCH)	W (UNF)	F (SAE)
<p>Suction Delivery</p>  <p>Dimensioni : vedi tabella a lato Dimensions : see table on the left</p>	<p>Suction Delivery</p>  <p>C= 1" - D= 3/4" (cm<sup>3</sup> 19 ÷ 62) C= 1 1/4" - D= 1" (cm<sup>3</sup> 70 ÷ 77)</p>	<p>Suction Delivery</p> 	<p>Suction Delivery</p>  <p>C= 1 5/16" - D= 1 1/16" (cm<sup>3</sup> 19 ÷ 30) C= 1 5/8" - D= 1 5/16" (cm<sup>3</sup> 34 ÷ 62) C= 1 7/8" - D= 1 5/8" (cm<sup>3</sup> 70 ÷ 77)</p>	<p>Suction Delivery</p>  <p>C= 27 - D= 52.4 - E= 26.2 (cm<sup>3</sup> 19÷37) C= 42 - D= 35.6 - E= 69.8 (cm<sup>3</sup> 44÷77)</p>