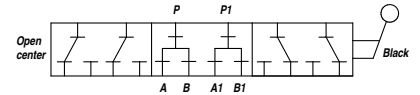
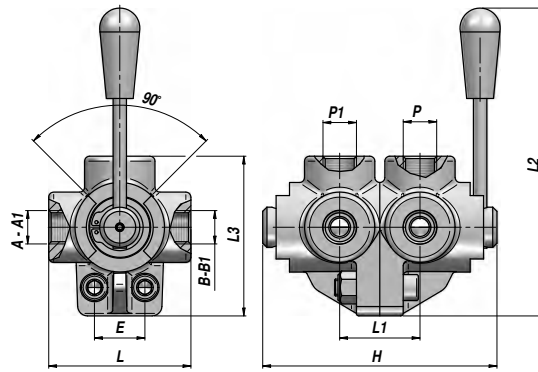
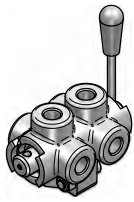


DDF6-A

DEVIATORE A 6 VIE - CENTRO APERTO
6-WAY FLOW DEFLECT VALVE - OPEN CENTRE



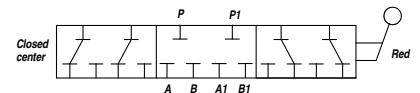
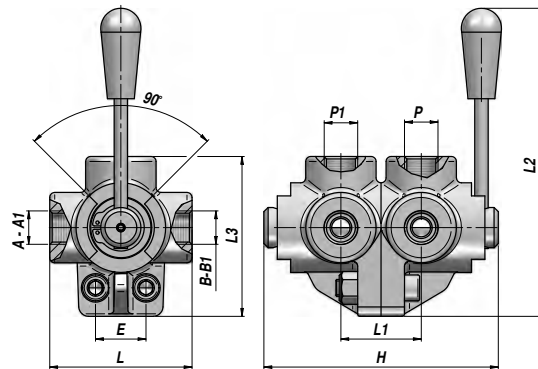
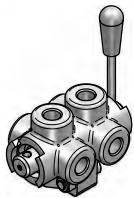
Codice Code	A - P - B BSP	A1 - P1 - B1 BSP	Q MAX l/min	P MAX bar	Tipo Type	L	L1	L2	E	H	L3	kg
V70667.A00600	3/8"	3/8"	60	300	DDF6-A 3/8" C/A	73	42	169	24	146	77	1,69
V70667.A00800	1/2"	1/2"	90	250	DDF6-A 1/2" C/A	85	50	180	32	170	96	2,90
V70667.A01200	3/4"	3/4"	120	220	DDF6-A 3/4" C/A	90	56	180	32	180	100	3,65
V70667.A11600	1"	1"	200	220	DDF6-A 1" C/A	96	65	207	32	192	115	5,10

MATERIALE CORPO : GHISA
BODY MATERIAL : CAST IRON

MONTAGGIO IN LINEA
LINE MOUNTING

DDF6-C

DEVIATORE A 6 VIE - CENTRO CHIUSO
6-WAY FLOW DEFLECT VALVE - CLOSED CENTRE



Codice Code	A - P - B BSP	A1 - P1 - B1 BSP	Q MAX l/min	P MAX bar	Tipo Type	L	L1	L2	H	L3	kg
V70667.C00600	3/8"	3/8"	60	300	DDF6-C 3/8" C/C	73	42	169	24	77	1,69
V70667.C00800	1/2"	1/2"	90	250	DDF6-C 1/2" C/C	85	50	180	32	96	2,90
V70667.C01200	3/4"	3/4"	120	220	DDF6-C 3/4" C/C	90	56	180	32	100	3,65
V70667.C11600	1"	1"	200	220	DDF6-C 1" C/C	96	65	207	32	115	5,10

MATERIALE CORPO : GHISA
BODY MATERIAL : CAST IRON

MONTAGGIO IN LINEA
LINE MOUNTING