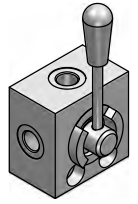
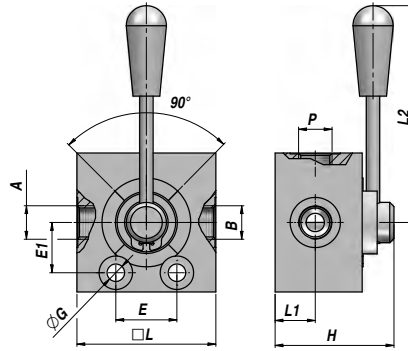
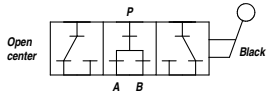


DEVIATORE A 3 VIE "AP...A" - CENTROAPERTO - ALTA PRESSIONE
3-WAY FLOW DEFLECT VALVE "AP...A" - OPEN CENTRE - HIGH PRESSURE

DDF 3 AP...A



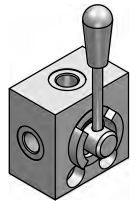
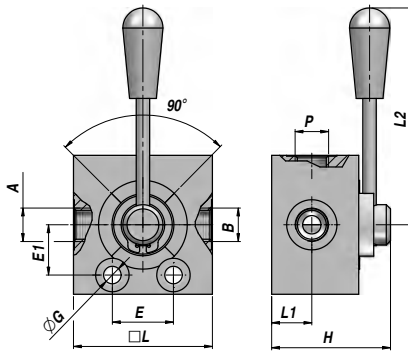
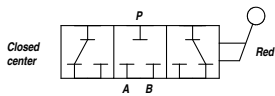
Codice Code	A - P - B BSP	Q MAX l/min	P MAX bar	Tipo Type	L	L1	L2	ØG	E	E1	H	kg
V71367.A00600	3/8"	60	450	DDF3 AP 020 A	68	21.0	135	8.5	30.0	24.75	62	1,38
V71367.A00800	1/2"	90	400	DDF3 AP 030 A	83	24.0	130	10.5	36.5	30.00	71	2,38
V71367.A01200	3/4"	120	350	DDF3 AP 040 A	87	28.0	130	11.0	32.0	30.50	80	2,88
V71367.A01600	1"	180	320	DDF3 AP 050 A	106	31.5	160	11.0	60.0	38.00	89	4,76

MATERIALE CORPO : GHISA ZINCATA
BODY MATERIAL : ZINC PLATED CAST IRON

MONTAGGIO IN LINEA
LINE MOUNTING

DEVIATORE A 3 VIE "AP...C" - CENTRO CHIUSO - ALTA PRESSIONE
3-WAY FLOW DEFLECT VALVE "AP...C" - CLOSED CENTRE - HIGH PRESSURE

DDF 3 AP...C



Codice Code	A - P - B BSP	Q MAX l/min	P MAX bar	Tipo Type	L	L1	L2	ØG	E	E1	H	kg
V71367.C00600	3/8"	60	450	DDF3 AP 020 C	68	21.0	135	8.5	30.0	24.75	62	1,38
V71367.C00800	1/2"	90	400	DDF3 AP 030 C	83	24.0	130	10.5	36.5	30.00	71	2,38
V71367.C01200	3/4"	120	350	DDF3 AP 040 C	87	28.0	130	11.0	32.0	30.50	80	2,88
V71367.C01600	1"	180	320	DDF3 AP 050 C	106	31.5	160	11.0	60.0	38.00	89	4,76

MATERIALE CORPO : GHISA ZINCATA
BODY MATERIAL : ZINC PLATED CAST IRON

MONTAGGIO IN LINEA
LINE MOUNTING