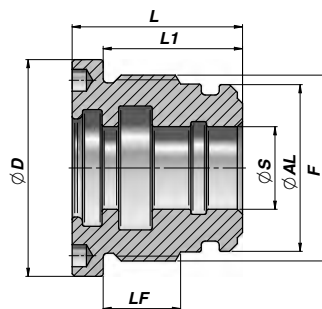


CGIN

TESTATA DI GUIDA IN POLLICI
INCH HEAD BUSH



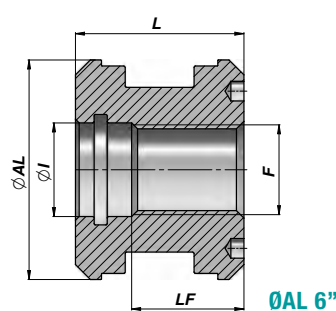
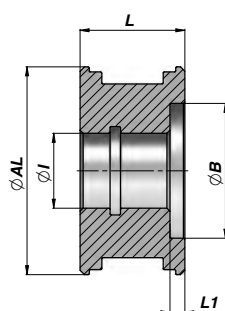
| Codice Code | ØAL | ØS | ØD | F | LF | L | L1 | kg | Set guarnizioni Seal kits |
|----------------|-------|-------|-------|---------------|-------|-------|-------|------|------------------------------|
| CGIN134112034 | 1"1/2 | 3/4" | 1.875 | 1"3/4 - 12 UN | 0.875 | 1.812 | 1.500 | 0,36 | GKGGP1120034 |
| CGIN212200118 | 2" | 1"1/8 | 2.520 | 2"1/4 - 16 UN | 0.827 | 1.875 | 1.500 | 0,55 | GKGGP2000118 |
| CGIN300212118 | 2"1/2 | 1"1/8 | 2.992 | 2"3/4 - 16 UN | 0.906 | 2.250 | 1.875 | 1,10 | GKGGP2120118 |
| CGIN300212114 | 2"1/2 | 1"1/4 | " | " | " | " | " | 1,00 | GKGGP2120114 |
| CGIN300212112 | 2"1/2 | 1"1/2 | " | " | " | " | " | 0,85 | GKGGP2120112 |
| CGIN312300112 | 3" | 1"1/2 | 3.504 | 3"1/4 - 16 UN | 1.181 | 2.300 | 1.925 | 1,50 | GKGGP3000112 |
| CGIN312300134 | 3" | 1"3/4 | " | " | " | " | " | 1,33 | GKGGP3000134 |
| CGIN400312134 | 3"1/2 | 1"3/4 | 4.016 | 3"3/4 - 12 UN | 1.260 | 2.375 | 2.000 | 2,35 | GKGGP3120134 |
| CGIN400312200 | 3"1/2 | 2" | " | " | " | " | " | 2,10 | GKGGP3120200 |
| CGIN412400200 | 4" | 2" | 4.488 | 4"1/4 - 12 UN | 1.772 | 3.250 | 2.750 | 4,00 | GKGGP4000200 |
| CGIN412400212 | 4" | 2"1/2 | " | " | " | " | " | 3,20 | GKGGP4000212 |
| CGIN558500212 | 5" | 2"1/2 | 5.669 | 5"1/4 - 12 UN | 1.969 | 3.375 | 2.875 | 6,80 | GKGGP5000212 |
| CGIN558500234 | 5" | 2"3/4 | " | " | " | " | " | 6,30 | GKGGP5000234 |
| CGIN558500300 | 5" | 3" | " | " | " | " | " | 5,80 | GKGGP5000300 |
| CGIN634600300 | 6" | 3" | 6.693 | 6"1/4 - 12 UN | 2.165 | 3.688 | 3.125 | 9,40 | GKGGP6000300 |
| CGIN634600312 | 6" | 3"1/2 | " | " | " | " | " | 8,30 | GKGGP6000312 |

MATERIALE : GHISA OLEODINAMICA EN-GJL 250 (G25-UNI 5007/EN 1561)
MATERIAL : HYDRAULIC CAST IRON EN-GJL 250 (G25-UNI 5007/EN 1561)

GUARNIZIONI : VEDI PAGINA 173
SEALS : SEE PAGE 173

CTIN

PISTONE IN POLLICI
INCH PISTON



| Codice Code | ØAL | ØI | L | ØB | L1 | F | LF | kg | Set guarnizioni Seal kits |
|----------------|-------|-------|-------|-------|-------|---------|-------|------|------------------------------|
| CTIN112016100 | 1"1/2 | 0.630 | 1.000 | 1.102 | 0.125 | - | - | 0,11 | GKGT112M160 |
| CTIN200020112 | 2" | 0.787 | 1.500 | 1.299 | 0.188 | - | - | 0,30 | GKGT200M200 |
| CTIN212020112 | 2"1/2 | 0.787 | 1.500 | 1.625 | 0.188 | - | - | 0,58 | GKGT212M200 |
| CTIN212023112 | 2"1/2 | 0.906 | 1.500 | 1.625 | 0.188 | - | - | 0,53 | GKGT212M230 |
| CTIN300030134 | 3" | 1.181 | 1.750 | 1.890 | 0.250 | - | - | 0,82 | GKGT300M300 |
| CTIN312033134 | 3"1/2 | 1.299 | 1.750 | 2.283 | 0.313 | - | - | 1,20 | GKGT312M330 |
| CTIN400033134 | 4" | 1.299 | 1.750 | 2.500 | 0.313 | - | - | 1,88 | GKGT400M330 |
| CTIN500040200 | 5" | 1.575 | 2.188 | 3.000 | 0.500 | - | - | 3,35 | GKGT500M400 |
| CTIN600052214 | 6" | 2.047 | 2.375 | - | - | 2-12 UN | 1.784 | 5,90 | GKGT600M520 |

MATERIALE : ACCIAIO 9SMn28 -UNI C40
MATERIAL : STEEL 9SMn28 - UNI C40

GUARNIZIONI : VEDI PAGINA 173
SEALS : SEE PAGE 173