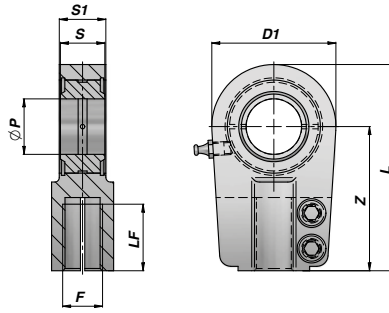
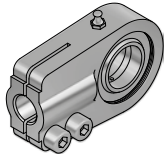


**CSTAPR...UGAS**

**NEW!**

TERMINALE A SNODO RILUBRIFICABILE  
BALL-JOINT END WITH GREASE NIPPLE



Codice Code	ØP	Z	S	D1	S1	L	F	LF min	FC (kN)	kg
CSTAPR025UGAS	25	65	20	56	23	95	M18x2	30	48	0,65
CSTAPR030UGAS	30	75	22	64	28	109	M24x2	35	62	1,00
CSTAPR035UGAS	35	90	25	78	30	132	M30x2	45	80	1,30
CSTAPR040UGAS	40	105	28	94	35	155	M39x3	55	100	2,40
CSTAPR050UGAS	50	135	35	116	40	198	M50x3	75	156	4,10
CSTAPR060UGAS	60	170	44	130	50	240	M64x3	95	245	6,50
CSTAPR070UGAS (**)	70	195	49	154	55	278	M80x3	110	315	9,50
CSTAPR080UGAS (**)	80	210	55	176	60	305	M90x3	120	400	16,00
CSTAPR090UGAS (**)	90	250	60	206	65	363	M100x3	140	490	28,00
CSTAPR100UGAS (**)	100	275	70	230	70	400	M110x4	150	610	34,00
CSTAPR110UGAS (**)	110	300	70	264	80	442	M120x4	160	650	44,00
CSTAPR120UGAS (**)	120	360	85	340	90	540	M150x4	190	950	75,00

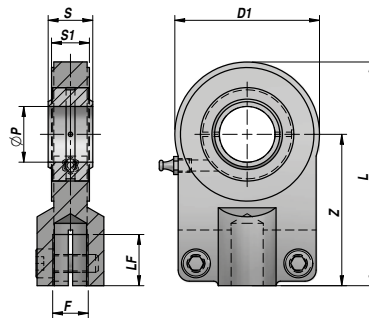
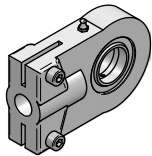
FC = CARICO DINAMICO AMMESSO - MAX DYNAMIC LOAD

MATERIALE : ACCIAIO ISO 12240-1 SERIE E - (\*\*)= GHISA SFEROIDALE  
MATERIAL : STEEL ISO 12240-1 SERIES E - (\*\*)= NODULAR CAST IRON

**CSTAPR...S**

**NEW!**

TERMINALE A SNODO RILUBRIFICABILE  
BALL-JOINT END WITH GREASE NIPPLE



Codice Code	ØP	Z	S	D1	S1	L	F	LF min	FC (kN)	kg
*CSTAPR701D	12	42	10	35	8	58	M10x1.25	15	10.8	0,12
**CSTAPR702D (A)	16	48	14	45	11	69	M12x1.25	17	21.1	0,22
**CSTAPR703D	20	58	16	55	13	83	M14x1.5	19	30.0	0,46
CSTAPR704D	25	68	20	65	17	99	M16x1.5	23	48.0	0,67
CSTAPR705D	30	85	22	80	19	123	M20x1.5	29	62.0	1,25
CSTAPR706D	40	105	28	100	23	153	M27x2	37	100.0	2,16
CSTAPR707D	50	130	35	120	30	188	M33x2	46	156.0	3,90
CSTAPR708D	60	150	44	160	38	230	M42x2	57	245.0	7,15
CSTAPR709D (**)	80	185	55	205	46	287.5	M48x2	64	400.0	15,00
CSTAPR710D (**)	100	240	70	240	55	357.5	M64x3	86	610.0	27,30

FC = CARICO DINAMICO AMMESSO - MAX DYNAMIC LOAD

(A) = FUORI NORMATIVA - OUT OF RULE

\* = NON RILUBRIFICABILE - WITHOUT GREASE NIPPLE

\*\* = RILUBRIFICABILE MEDIANTE FORO - LUBRICATING HOLE IN THE HEAD

MATERIALE : ACCIAIO DIN 24555 - ISO 8133 - (\*\*)= GHISA SFEROIDALE  
MATERIAL : STEEL DIN 24555 - ISO 8133 - (\*\*)= NODULAR CAST IRON