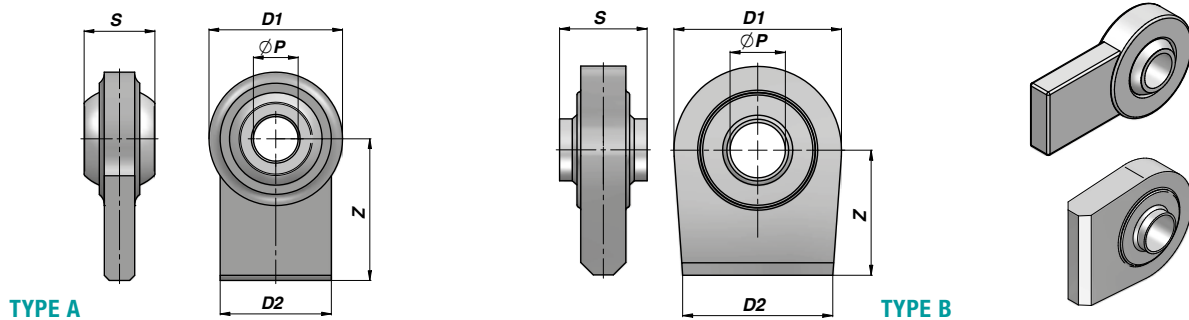


SNODO SFERICO DA SALDARE - TIPO AGRICOLO  
WELDABLE BALL JOINT END - AGRICULTURAL TYPE

NEW!

CSR



Codice Code	TYPE	ØP (A12)	Z	S (h11)	D1	D2	CAT	kg	note
CSR0010490	A	14.0	60	32	46	30	-	0,30	-
* CSR0010495	A	16.0	60	20	46	30	-	0,27	-
CSR0010494	A	18.0	43	35	65	50	-	0,58	-
CSR0010497	A	19.0	43	35	65	50	-	0,56	-
CSR0010496	A	19.0	50	44	52	52	-	0,46	-
CSR0010498	A	22.1	43	35	65	50	1	0,54	Flat Base
CSR0010510	A	22.1	50	35	76	70	1	0,82	-
CSR0010540	A	22.1	55	35	83	70	1	1,18	-
CSR0010503	A	22.1	70	35	66	55	1	0,70	-
CSR0010501	A	22.1	90	35	68	50	1	0,92	-
CSR0010515	A	25.4	50	35	76	70	-	0,78	-
CSR0010550	A	25.4	55	35	83	70	-	1,16	-
CSR0010569	A	25.4	65	45	80	70	-	1,36	-
CSR0010506	A	25.4	80	38	78	70	-	1,14	-
CSR0010566	A	25.4	80	38	80	70	-	1,56	-
CSR0010520	A	26.0	50	35	76	70	-	0,78	-
CSR0010530	A	28.4	50	35	76	70	2	0,76	-
CSR0010560	A	28.4	55	35	83	70	2	1,12	-
CSR0010562	A	28.4	55	45	83	70	2	1,16	-
CSR0010564	A	28.4	55	45	82	70	2	1,22	-
CSR0010570	A	28.4	65	45	80	70	2	1,32	-
CSR0010580	A	28.4	65	45	96	70	2	1,70	-
CSR0010615	A	28.4	65	45	108	80	2	2,16	-
CSR0010507	A	28.4	80	38	78	70	2	1,10	-
CSR0010568	A	28.4	80	38	80	70	2	1,52	-
CSR0010575	A	28.4	80	45	80	70	2	1,54	-
CSR0010579	A	28.4	82	45	90	76	2	1,48	-
CSR0010597	A	32.0	65	45	96	70	-	1,66	-
CSR0010600	A	34.0	65	45	96	70	-	1,62	-
CSR0010612	A	34.0	65	45	108	80	-	2,04	-
CSR0010602	A	35.0	65	45	96	70	-	1,60	-
CSR0010616	A	35.0	65	45	108	80	-	2,00	-
CSR0010604	A	37.0	65	45	96	70	3	1,56	-
CSR0010614	A	37.0	65	45	108	80	3	1,98	-
CSR0010610	A	38.0	65	45	108	80	-	1,96	-
CSR0010617	A	42.0	65	45	108	80	-	1,88	-
CSR0010499	B	19.0	50	35	67	60	-	0,74	-
CSR0010500	B	22.1	50	35	67	60	1	0,72	-
CSR0010505	B	22.1	75	35	67	58	1	0,94	-
CSR0010578	B	28.4	80	35	85	70	2	1,40	-
CSR0010576	B	28.4	80	45	85	70	2	1,44	-

ACCOPPAMENTO - COUPLING : ACCIAIO/ACCIAIO - STEEL/STEEL

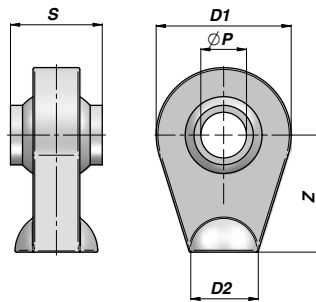
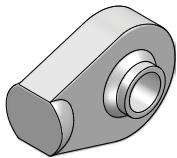
\* = Standard

MATERIALE : ACCIAIO C40 - UNI EN 10083-1  
MATERIAL : STEEL C40 - UNI EN 10083-1

CSR

NEW!

SNODO SFERICO DA SALDARE - TIPO AGRICOLO  
WELDABLE BALL JOINT END - AGRICULTURAL TYPE



TYPE D

Codice Code	TYPE	ØP (A12)	Z	S (h11)	D1	ØD2	CAT	kg	note
CSR0010693	D	14.0	50	44	55	25	-	0,46	Rough Base
CSR0010727	D	19.0	46	35	70	30	1	0,64	Flat Base
CSR0010694	D	19.0	50	30	55	25	1	0,40	Rough Base
CSR0010724	D	19.0	50	35	62	26	1	0,54	Flat Base
CSR0010695	D	19.0	50	44	55	25	1	0,42	Rough Base
CSR0010705	D	19.0	50	44	62	30	1	0,54	Flat Base
* CSR0010708	D	19.0	58	44	62	34	1	0,60	"
CSR0010710	D	19.0	60	44	62	34	1	0,62	"
CSR0010697	D	19.0	65	44	55	26	1	0,50	Rough Base
CSR0010737	D	19.0	65	51	75	38	1	1,02	Flat Base
CSR0010696	D	20.0	50	44	55	25	-	0,41	Rough Base
* CSR0010720	D	20.0	58	44	62	34	-	0,61	Flat Base
CSR0010709	D	20.0	60	44	62	34	-	0,59	"
* CSR0010725	D	22.1	50	35	62	26	-	0,52	"
CSR0010707	D	22.1	58	44	62	34	-	0,58	"
CSR0010712	D	22.1	60	44	62	34	-	0,60	"
CSR0010730	D	22.1	65	51	75	38	-	0,98	"
CSR0010746	D	22.1	70	51	72	45	-	1,18	"
CSR0010756	D	22.1	70	51	85	50	-	1,64	"
CSR0010735	D	25.4	65	40	75	38	2	0,90	"
* CSR0010740	D	25.4	65	51	75	38	2	0,94	"
CSR0010750	D	25.4	65	51	83	50	2	1,38	"
CSR0010741	D	25.4	70	51	75	31	2	0,90	"
CSR0010742	D	25.4	70	51	72	45	2	1,14	"
CSR0010760	D	25.4	70	51	85	50	2	1,62	"
CSR0010791	D	25.4	85	51	90	40	2	1,68	"
CSR0010800	D	29.0	65	55	83	50	-	1,38	"
CSR0010805	D	30.0	65	42	83	50	-	1,30	"
CSR0010818	D	30.0	65	42	92	50	-	1,52	"
CSR0010739	D	30.0	65	51	75	38	-	0,88	"
* CSR0010810	D	30.0	65	55	83	50	-	1,36	"
CSR0010817	D	30.0	65	55	92	50	-	1,58	"
CSR0010748	D	30.0	70	51	72	45	-	1,08	"
CSR0010780	D	30.0	70	51	85	50	-	1,56	"
CSR0010792	D	30.0	85	51	90	40	-	1,64	"
CSR0010807	D	32.0	65	51	83	50	3	1,30	"
CSR0010825	D	32.0	65	51	92	50	3	1,54	"
CSR0010793	D	32.0	85	51	90	40	3	1,58	"
* CSR0010812	D	35.0	65	35	83	50	-	1,20	"
CSR0010819	D	35.0	65	35	92	50	-	1,42	"
CSR0010815	D	35.0	65	55	83	50	-	1,24	"
CSR0010795	D	35.0	85	55	90	40	-	1,52	"
CSR0010821	D	40.0	60	75	108	58	-	2,76	"
CSR0010820	D	40.0	85	75	108	60	-	3,42	"
CSR0010841	D	45.0	60	75	108	58	-	2,56	"
* CSR0010840	D	45.0	85	75	108	60	-	3,22	"
CSR0010861	D	50.0	60	75	108	58	-	2,36	"
* CSR0010860	D	50.0	85	75	108	60	-	3,02	"

ACCOPPAMENTO - COUPLING : ACCIAIO/ACCIAIO - STEEL/STEEL

\* = Standard

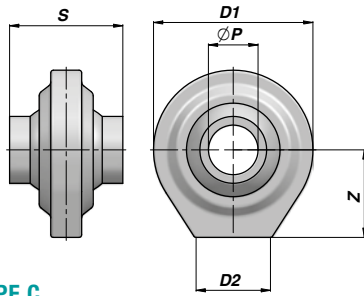
MATERIALE : ACCIAIO C40 - UNI EN 10083-1

MATERIAL : STEEL C40 - UNI EN 10083-1

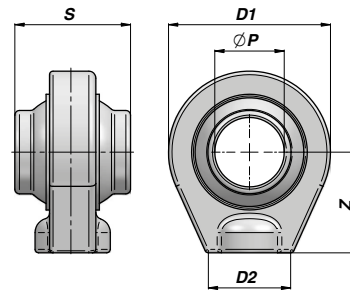
SNODO SFERICO DA SALDARE - TIPO AGRICOLO  
WELDABLE BALL JOINT END - AGRICULTURAL TYPE

NEW!

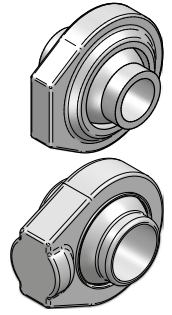
CSR



TYPE C



TYPE E



Codice Code	TYPE	ØP (A12)	Z	S (h11)	D1	D2	CAT	kg	note
CSR0010700	C	19.0	34	44	62	30x13	1	0,44	Milled Base
CSR0010702	C	20.0	34	44	62	30x13	-	0,43	Rough Base
CSR0010704	C	22.1	34	44	62	30x13	-	0,42	"
* CSR0010880	E	60 (H7)	87	100	140	75	-	5,66	"

ACCOPPIAMENTO - COUPLING : ACCIAIO/ACCIAIO - STEEL/STEEL

\* = Standard

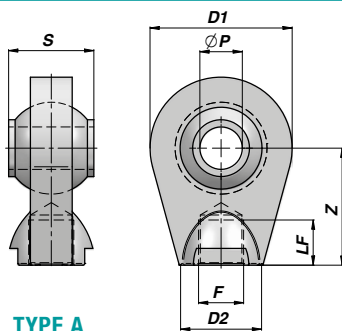
MATERIALE : ACCIAIO C40 - UNI EN 10083-1

MATERIAL : STEEL C40 - UNI EN 10083-1

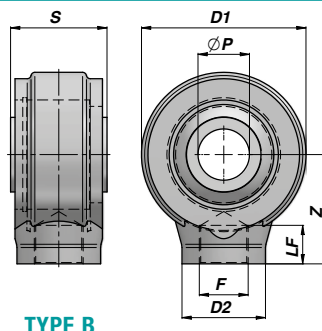
SNODO SFERICO FILETTATO - TIPO AGRICOLO  
THREADED BALL-JOINT END - AGRICULTURAL TYPE

NEW!

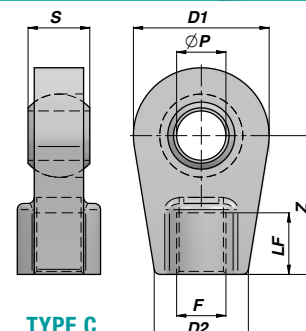
CSR



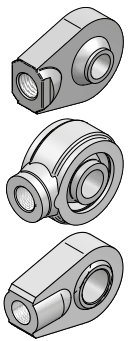
TYPE A



TYPE B



TYPE C



Codice Code	TYPE	ØP (A12)	Z	S (h11)	D1	D2	F	LF	kg
CSR0010769	A	19.0	70	51	85	50	M27x2	27	1,54
CSR0010768	A	22.1	70	51	85	50	M27x2	27	1,50
CSR0010770	A	25.4	70	51	85	50	M27x2	27	1,46
CSR0010790	A	30.0	70	51	85	50	M27x2	27	1,40
CSR0010794	A	32.0	85	51	90	40	M27x2	27	1,44
CSR0010830	A	40.0	85	75	108	60	M38x2	28	3,10
CSR0010850	A	45.0	85	75	108	60	M38x2	28	2,90
CSR0010870	A	50.0	85	75	108	60	M38x2	28	2,70
CSR0010874	B	40.0	85	75	128	65	M38x2	28	6,16
CSR0010875	B	45.0	85	75	128	65	M38x2	28	5,96
CSR0010876	B	50.0	85	75	128	65	M38x2	28	5,76
CSR0010900	C	16.0	45	20	44	27	M16x1.5	20	0,28
CSR0010910	C	20.0	45	20	44	27	M18x1.5	20	0,25
CSR0010920	C	25.0	60	30	61	35	M20x1.5	25	0,80
CSR0010930	C	30.0	60	30	61	35	M22x1.5	25	0,72
CSR0010940	C	35.0	80	40	80	45	M27x2	35	1,70
CSR0010950	C	40.0	80	40	80	45	M30x2	35	1,60

ACCOPPIAMENTO - COUPLING : ACCIAIO/ACCIAIO - STEEL/STEEL

MATERIALE : ACCIAIO C40 - UNI EN 10083-1

MATERIAL : STEEL C40 - UNI EN 10083-1