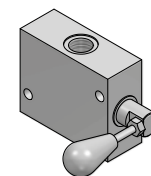
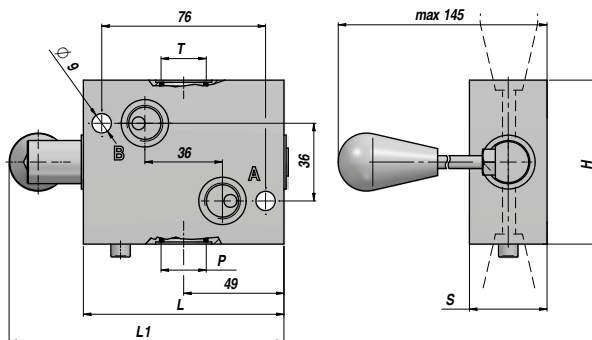
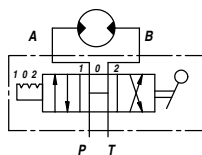


INVERTITORE A 4 VIE PER MOTORI "MPP-MPR-MCP-MCR" - CENTRO APERTO  
4-WAY FLOW REVERSE FOR "MPP-MPR-MCP-MCR" MOTORS - OPEN CENTRE

NEW!

BDR01



Codice Code	A - B BSP	Q MAX l/min	P MAX bar	Tipo Type	L	L1 max	H	S	kg
VBDR012010	1/2"	50	210	BDR 12.01	93	128	70	35	0,76

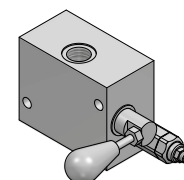
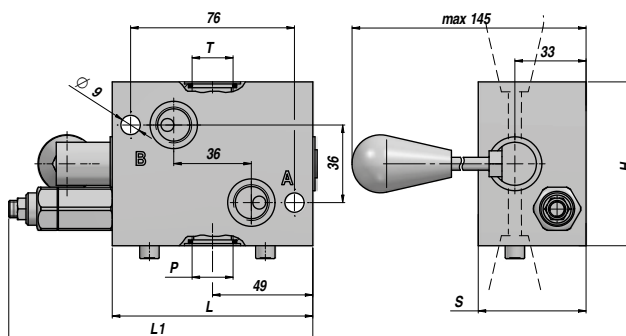
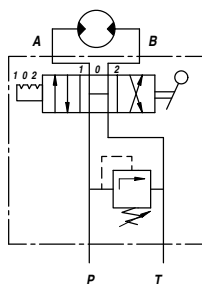
MATERIALE CORPO : ALLUMINIO  
BODY MATERIAL : ALUMINIUM

FLANGIABILE  
FACE MOUNTING

INVERTITORE A 4 VIE PER MOTORI "MPP-MPR-MCP-MCR" + V.M.P. - CENTRO APERTO  
4-WAY FLOW REVERSE FOR "MPP-MPR-MCP-MCR" MOTORS + RELIEF VALVE - OPEN CENTRE

NEW!

BDR04



Codice Code	A - B BSP	Q MAX l/min	P MAX bar	Tipo Type	L	L1 max	H	S	kg
VBDR012040	1/2"	50	250	BDR 12.04/25	93	150	70	50	1,07

MOLLA - SPRING: 30 : 250 bar

MATERIALE CORPO : ALLUMINIO  
BODY MATERIAL : ALUMINIUM

FLANGIABILE  
FACE MOUNTING