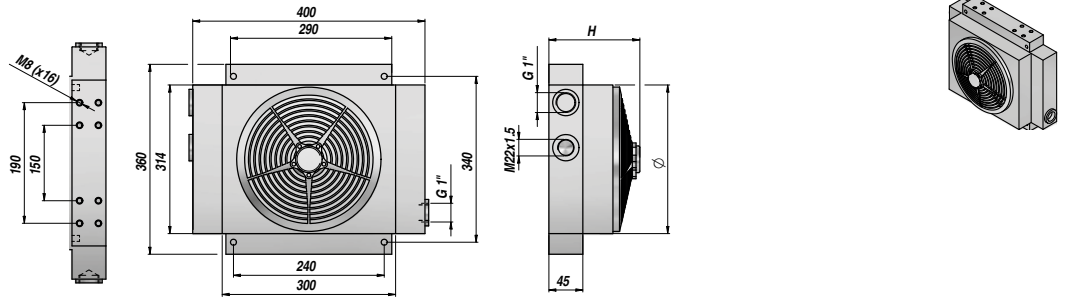


SCAMBIATORE DI CALORE - ARIA/OLIO
HEAT EXCHANGER - AIR/OIL

NEW! **GRS100**

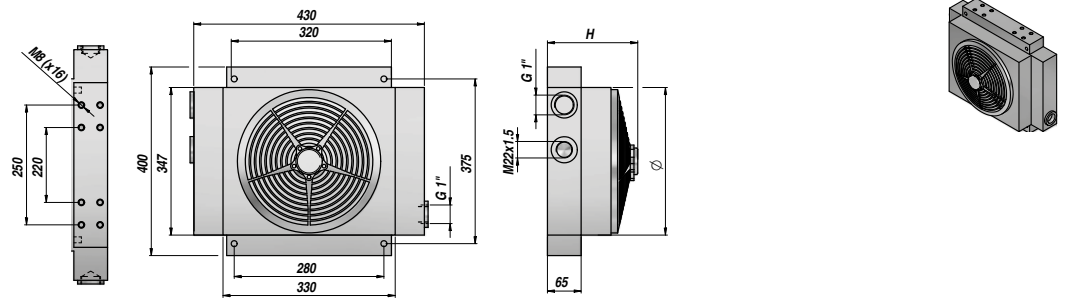


Codice Code	Tipo Type	Allestimento Setting	Q l/min	H mm	Ventola - Fan		Massa radiante Radiator mass	Assorbimento Consumption	kg
					Ø				
AS0100630011	GRS100-12 A	V12DC	20/120	210	305	Aspirante Sucking	4.24 dm3	15.0 A	9.00
AS0100630021	GRS100-24 A	V24DC	20/120	210	305			7.8 A	9.00
AS0100630031	GRS100-230 A	V230/50-60Hz	20/120	175	300			1.55 A	9.00
AS0100630041	GRS100-400 A	V230/400/50-60Hz	20/120	175	300			0.48 A	9.00
AS0100630051	GRS100-Hyd. A	for GR.2 gear motor *	20/120	228	300			0.41 kW	9.00

* Motore ad ingranaggi GR.2 fornibile a richiesta - Gr.2 gear motor supplied on request

SCAMBIATORE DI CALORE - ARIA/OLIO
HEAT EXCHANGER - AIR/OIL

NEW! **GRS150**



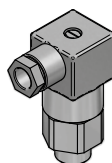
Codice Code	Tipo Type	Allestimento Setting	Q l/min	H mm	Ventola - Fan		Massa radiante Radiator mass	Assorbimento Consumption	kg
					Ø				
AS0100650011	GRS150-12 A	V12DC	30/140	230	305	Aspirante Sucking	7.44 dm3	15.0 A	13.00
AS0100650021	GRS150-24 A	V24DC	30/140	230	305			7.8 A	13.00
AS0100650031	GRS150-230 A	V230/50-60Hz	30/140	195	300			1.55 A	13.00
AS0100650041	GRS150-400 A	V230/400/50-60Hz	30/140	195	300			0.48 A	13.00
AS0100650051	GRS150-Hyd. A	for GR.2 gear motor *	30/140	245	300			0.41 kW	13.00

* Motore ad ingranaggi GR.2 fornibile a richiesta - Gr.2 gear motor supplied on request

TERMOSTATO
THERMOSTAT

NEW! **ATER**

Codice Code	Temperatura Temperature	Filetto Thread	kg
ATERODIN4050	40/50 °C	M22x1.5	0,20
ATERODIN5060	50/60 °C	M22x1.5	0,20
ATERODIN6070	60/70 °C	M22x1.5	0,20
ATERODIN7080	70/80 °C	M22x1.5	0,20



STAFFE DI FISSAGGIO (COPPIA)
MOUNTING BRACKETS (COUPLE)

NEW! **ASTU**

Codice Code	Pz Pcs	kg
ASTU00002000	2	1,00

